

AC Axial Fan

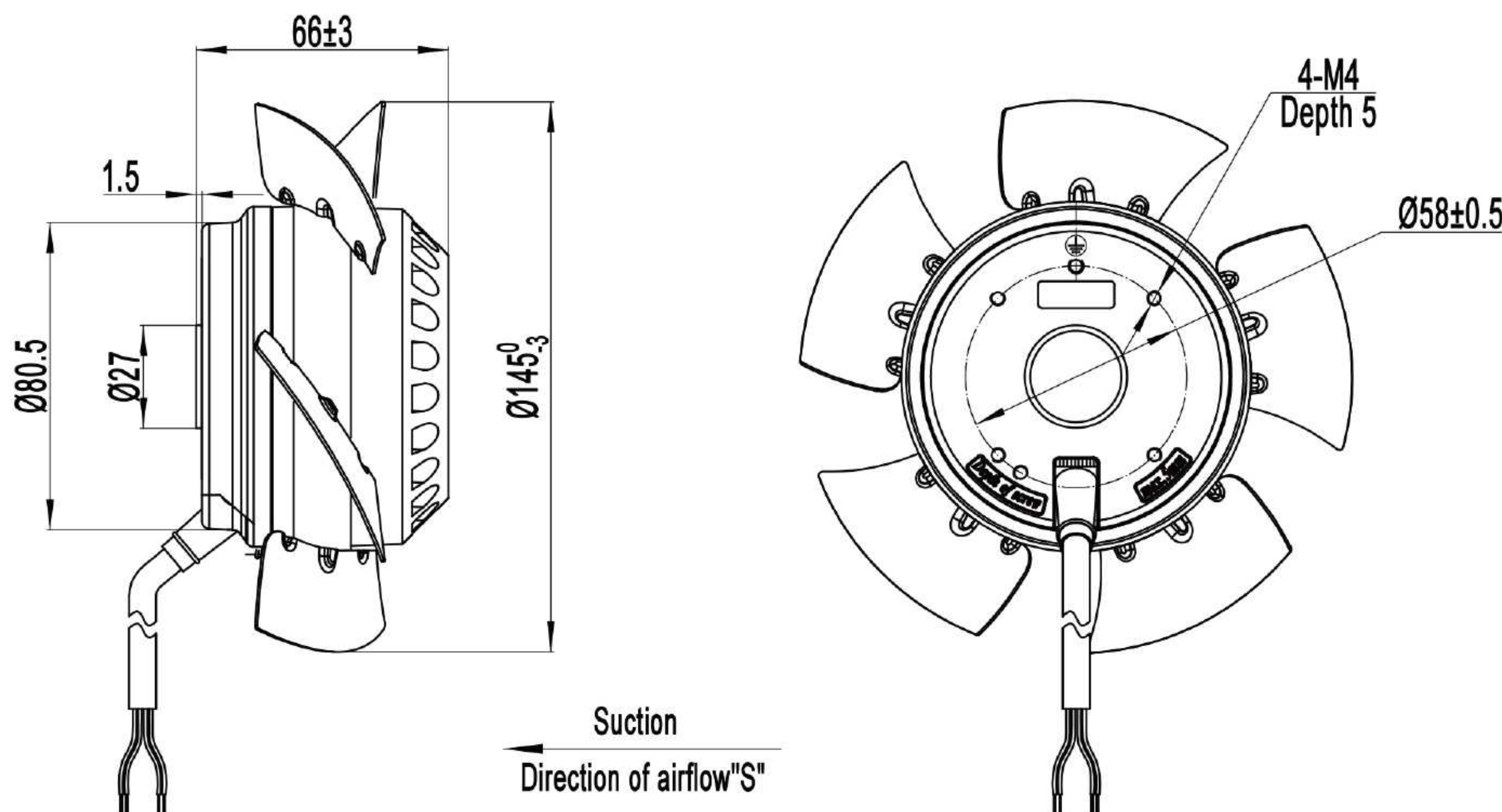
Product Characteristic

145S-5

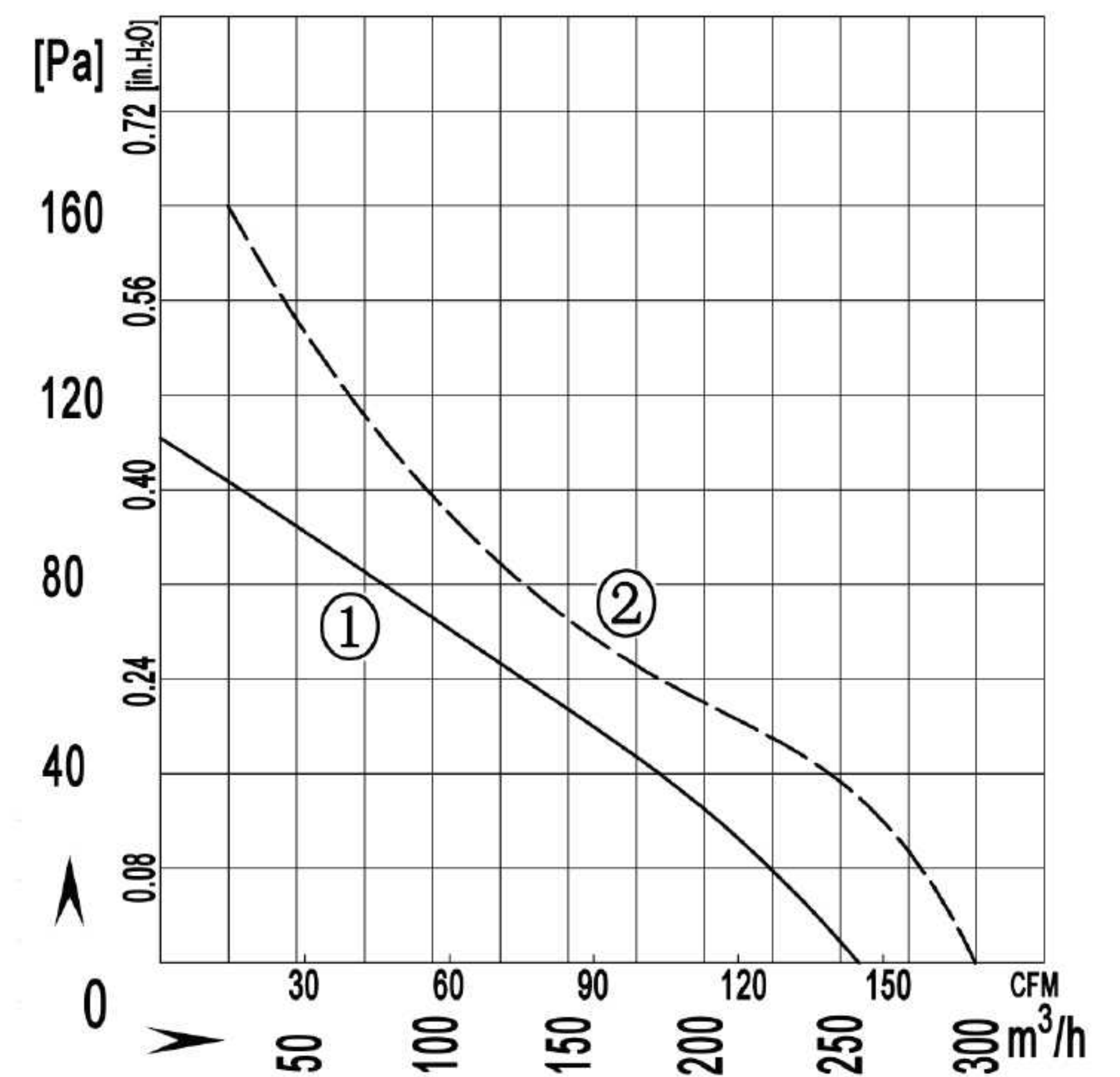


- Material : Cold rolled steel
- Protection Class: IP44
- Approvals: CCC/CE/ETL
- Insulation Class: F

Product Drawing



Flow Rate Curve



Technical Specifications

| Model | Voltage | Frequency | Current | Input Power | Speed | Capacitor | Speed | Noise | Curve |
|-------------------|----------|-----------|---------|-------------|---------|-----------|---------|---------|-------|
| LWAA2D145S-5AN-01 | 380/400V | 50Hz | 0.15A | 50W | 2800RPM | / | 260m³/h | 46dB(A) | ① |
| LWAA2D145S-5AN-02 | | 60Hz | 0.10A | 35W | 3200RPM | | 300m³/h | 49dB(A) | ② |

AC Axial Fan

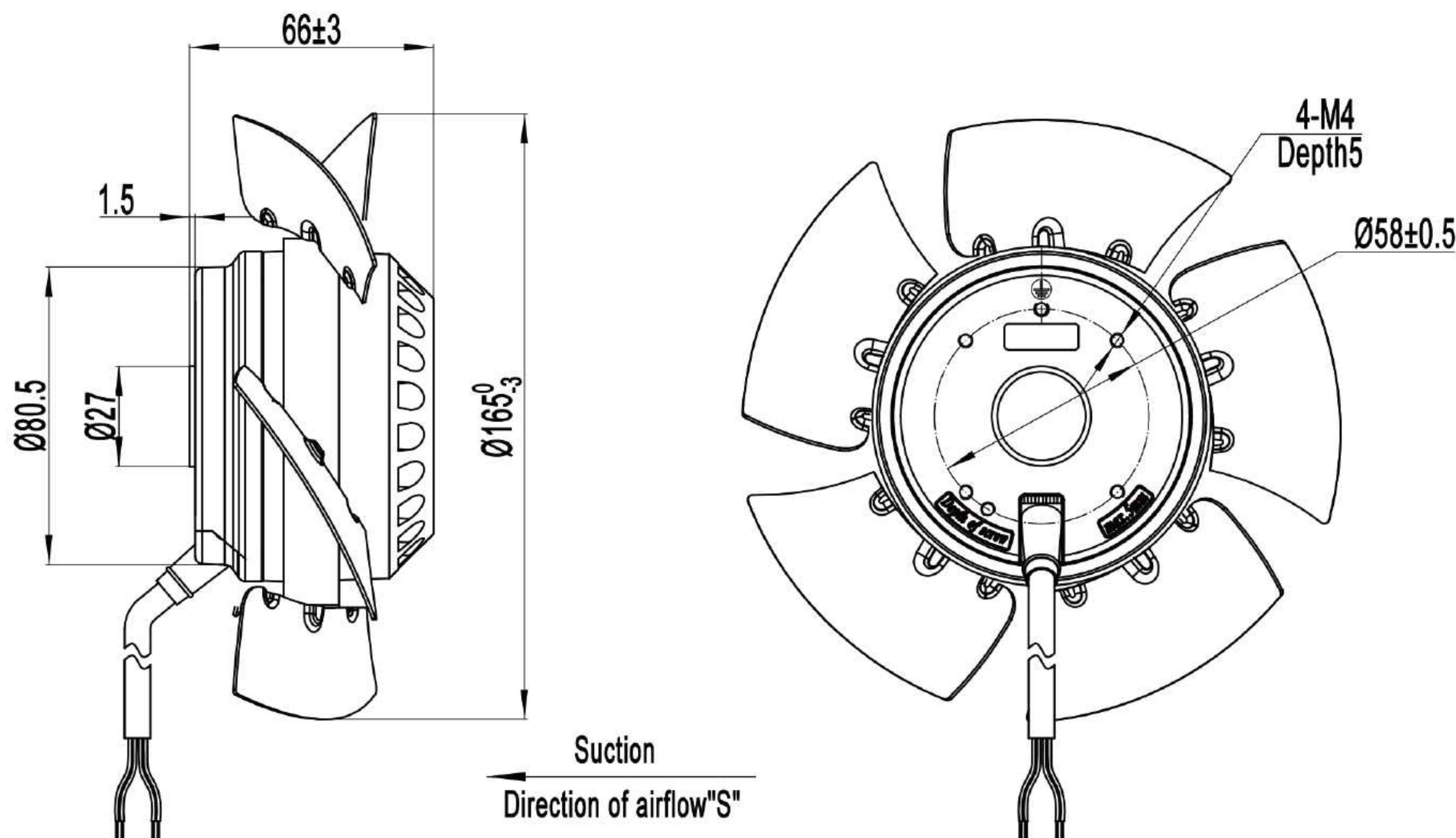
Product Characteristic

165S-5

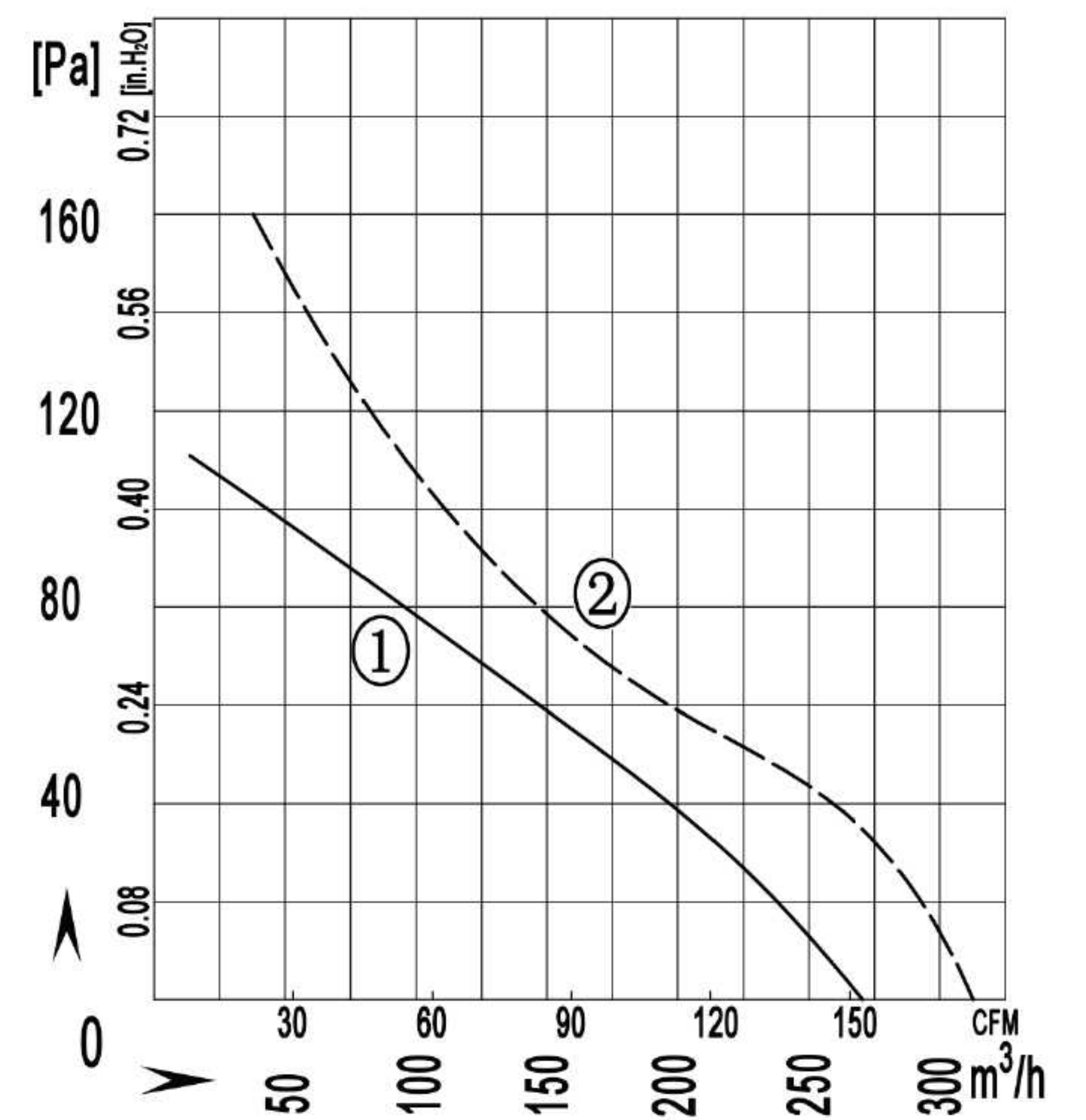


- Material : Cold rolled steel
- Protection Class: IP44
- Approvals: CCC/CE/ETL
- Insulation Class: F

Product Drawing



Flow Rate Curve



Technical Specifications

| Model | Voltage | Frequency | Current | Input Power | Speed | Capacitor | Speed | Noise | Curve |
|-------------------|----------|-----------|---------|-------------|---------|-----------|---------|---------|-------|
| LWAA2D165S-5AN-01 | 380/400V | 50Hz | 0.15A | 50W | 2800RPM | / | 270m³/h | 47dB(A) | ① |
| LWAA2D165S-5AN-02 | | 60Hz | 0.10A | 35W | 3200RPM | | 320m³/h | 50dB(A) | ② |

AC Axial Fan

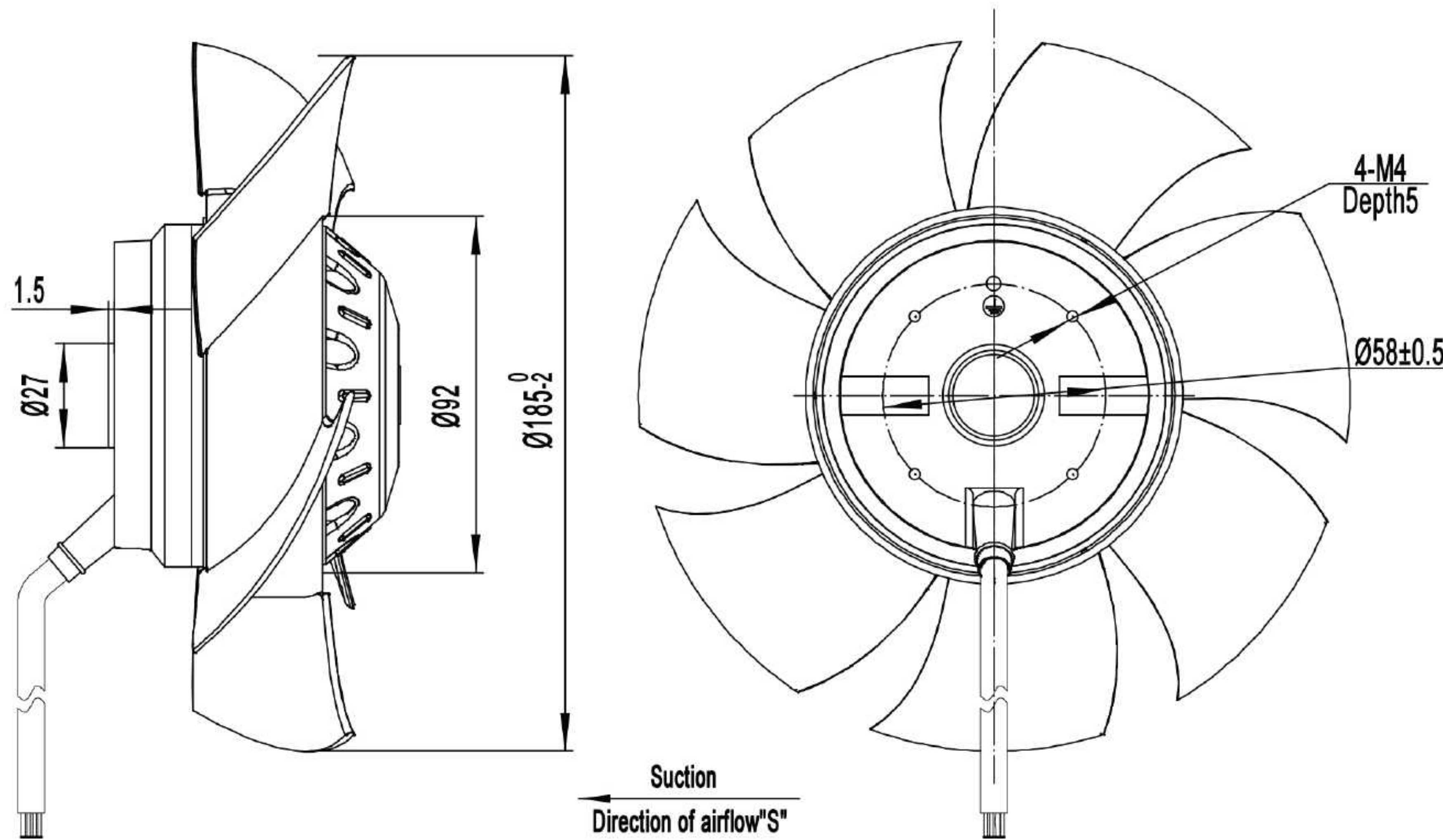
Product Characteristic

185S-7

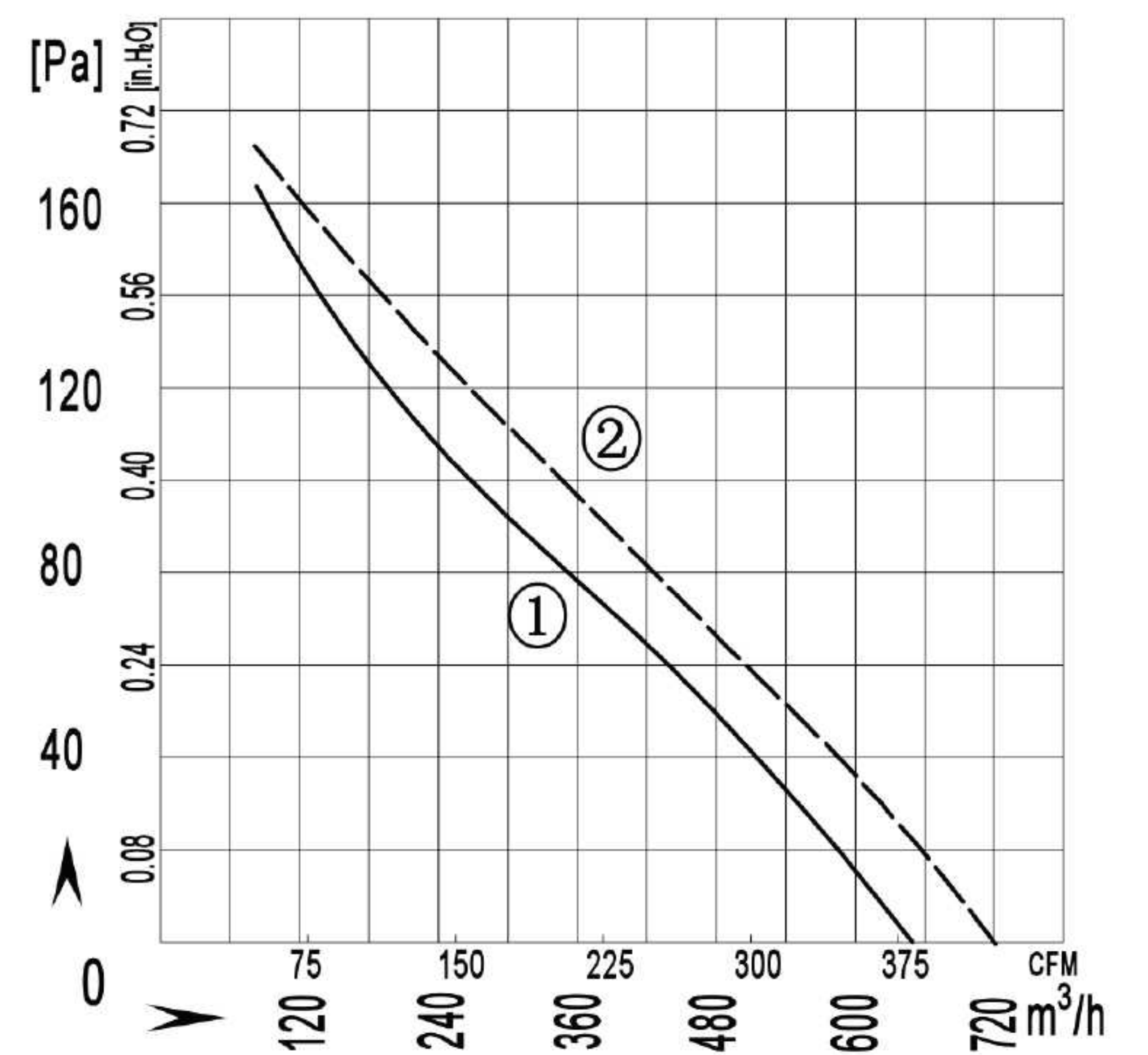


- Material : Cold rolled steel
- Protection Class: IP44
- Approvals: CCC/CE/ETL
- Insulation Class: F

Product Drawing



Flow Rate Curve



Technical Specifications

| Model | Voltage | Frequency | Current | Input Power | Speed | Capacitor | Speed | Noise | Curve |
|-------------------|----------|-----------|---------|-------------|---------|-----------|---------|---------|-------|
| LWAA2E185S-7AN-01 | 220/230V | 50Hz | 0.25A | 55W | 2400RPM | 1.5µ F | 650m³/h | 51dB(A) | ① |
| LWAA2E185S-7AN-02 | | 60Hz | 0.28A | 75W | 2700RPM | | 720m³/h | 52dB(A) | ② |
| LWAA2D185S-7AN-01 | 380/400V | 50Hz | 0.15A | 55W | 2400RPM | / | 650m³/h | 51dB(A) | ① |
| LWAA2D185S-7AN-02 | | 60Hz | 0.18A | 75W | 2700RPM | | 720m³/h | 52dB(A) | ② |

AC Axial Fan

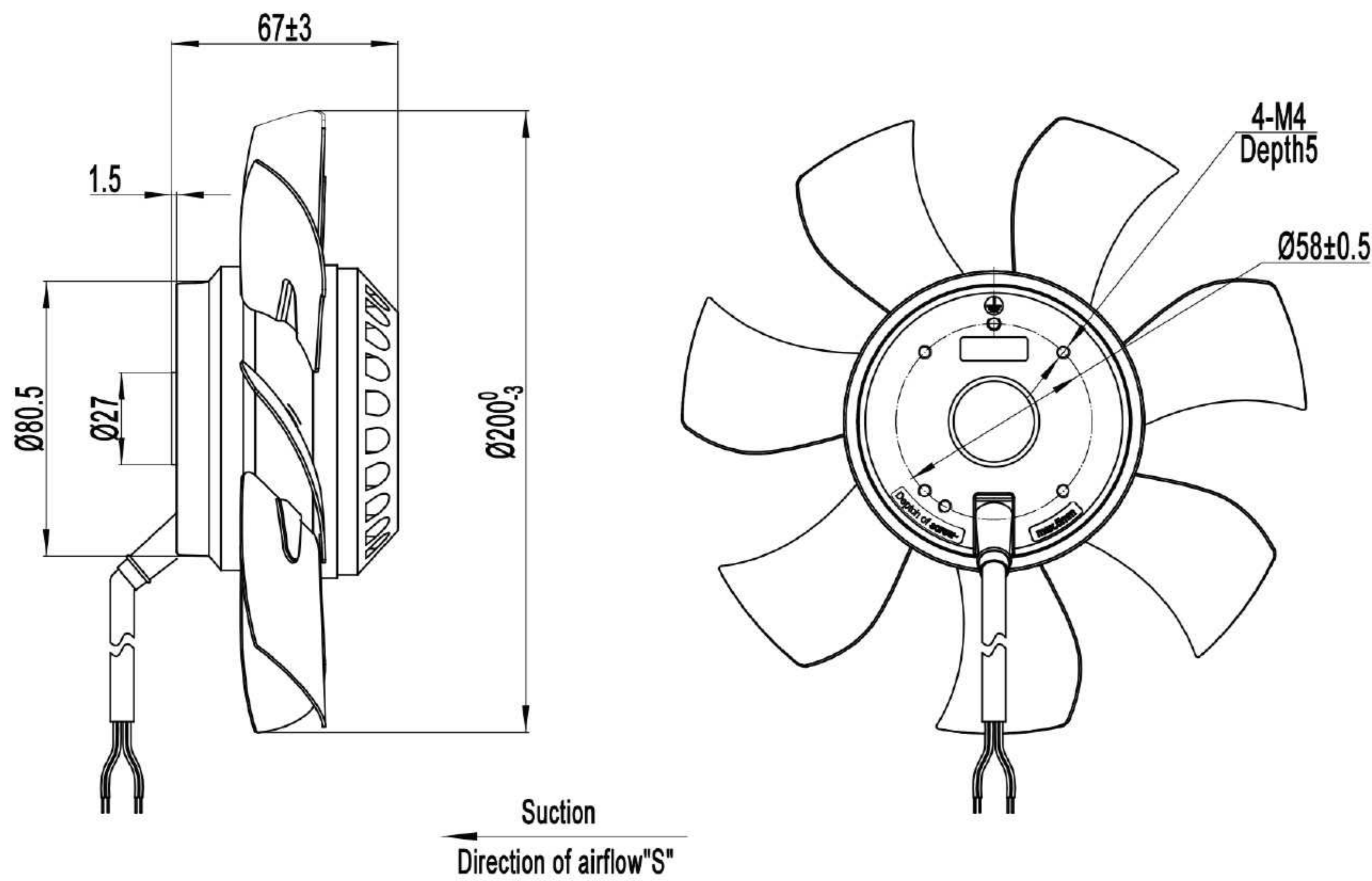
Product Characteristic

200S-7

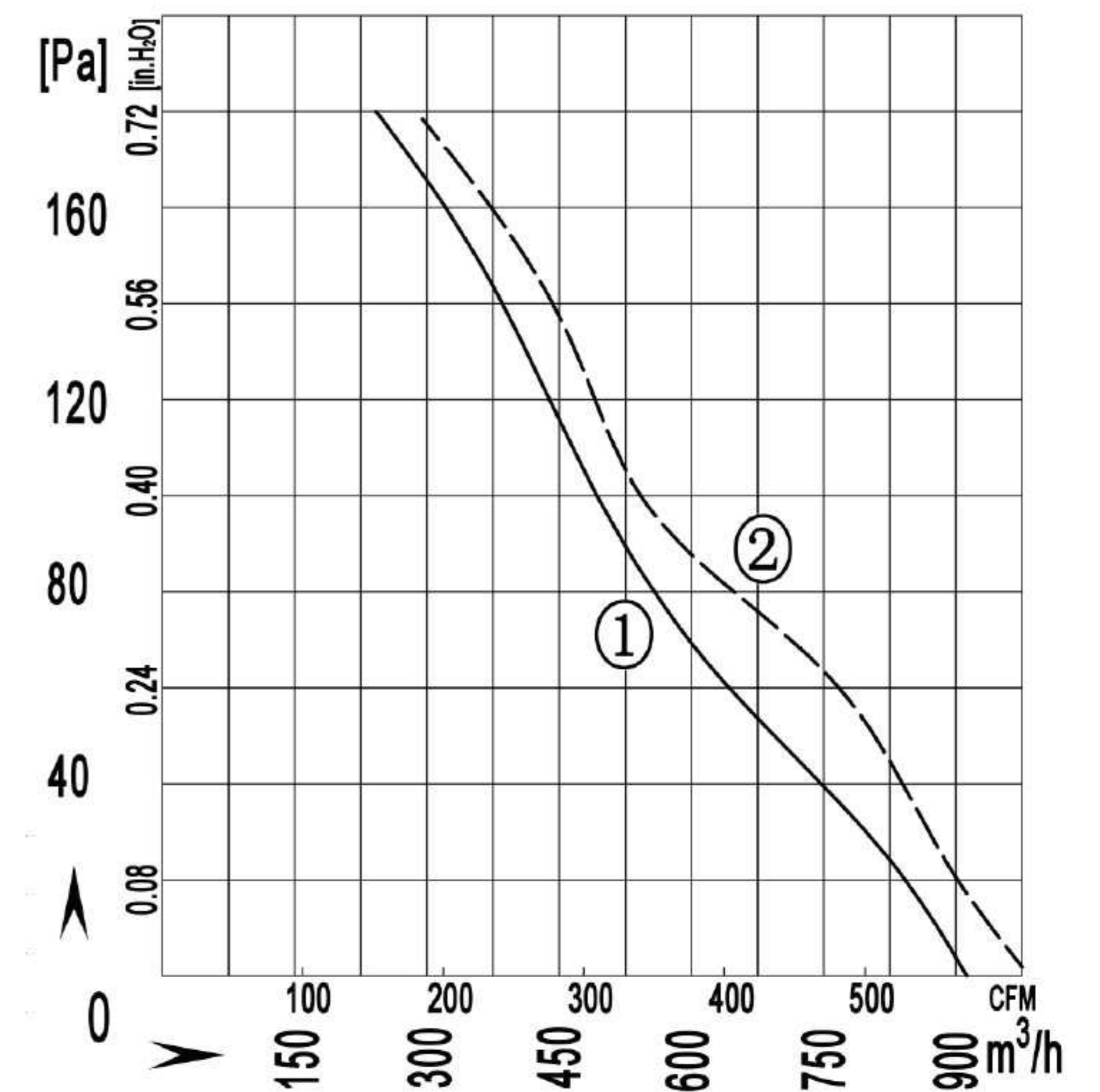


- Material : Cold rolled steel
- Protection Class: IP44
- Approvals: CCC/CE/ETL
- Insulation Class: F

Product Drawing



Flow Rate Curve



Technical Specifications

| Model | Voltage | Frequency | Current | Input Power | Speed | Capacitor | Speed | Noise | Curve |
|-------------------|----------|-----------|---------|-------------|---------|-----------|---------|---------|-------|
| LWAA2D200S-7AN-01 | 380/400V | 50Hz | 0.21A | 65W | 2300RPM | / | 880m³/h | 53dB(A) | ① |
| LWAA2D200S-7AN-02 | | 60Hz | 0.24A | 80W | 2600RPM | | 980m³/h | 55dB(A) | ② |

AC Axial Fan

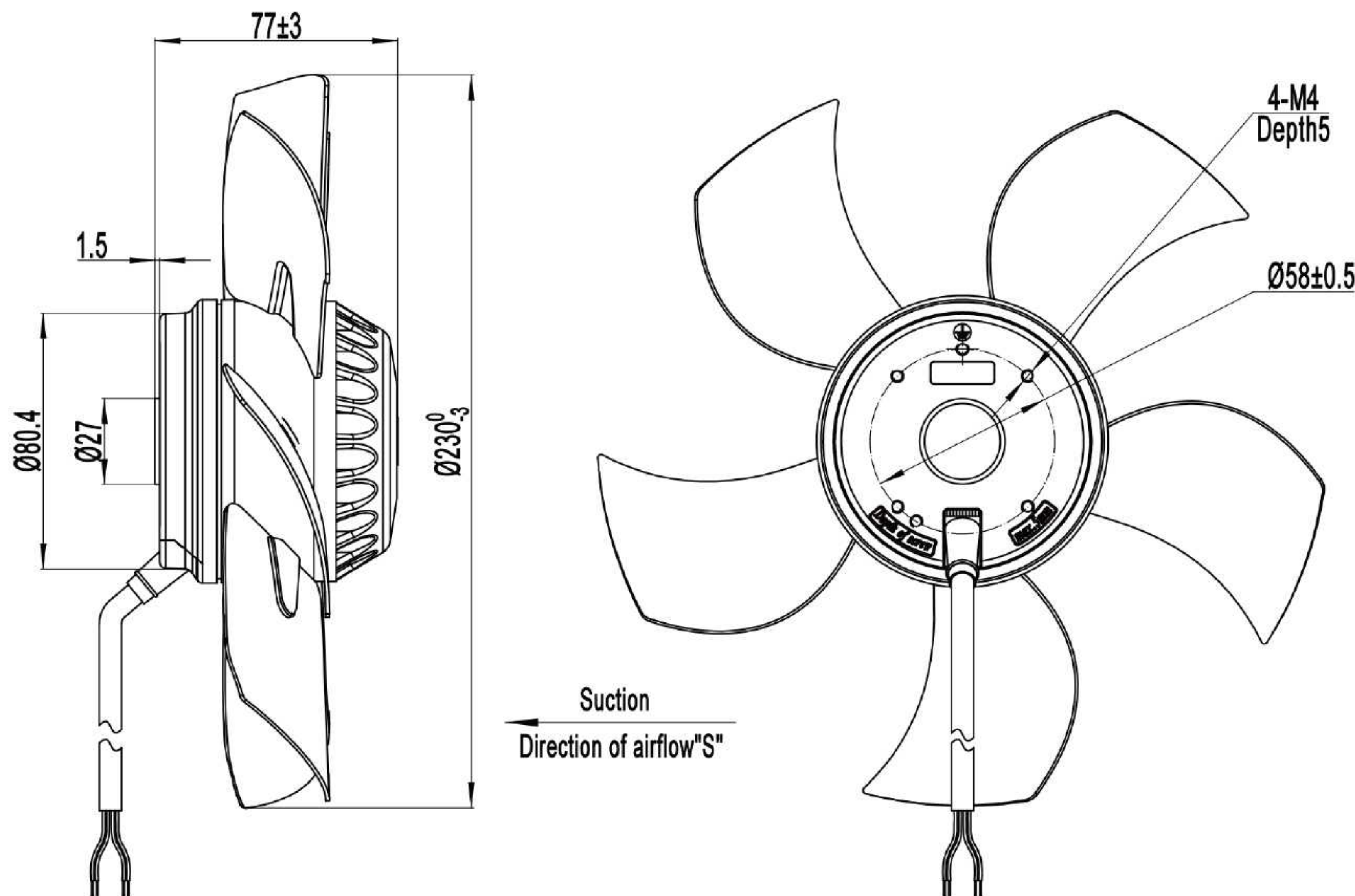
Product Characteristic

230S-5

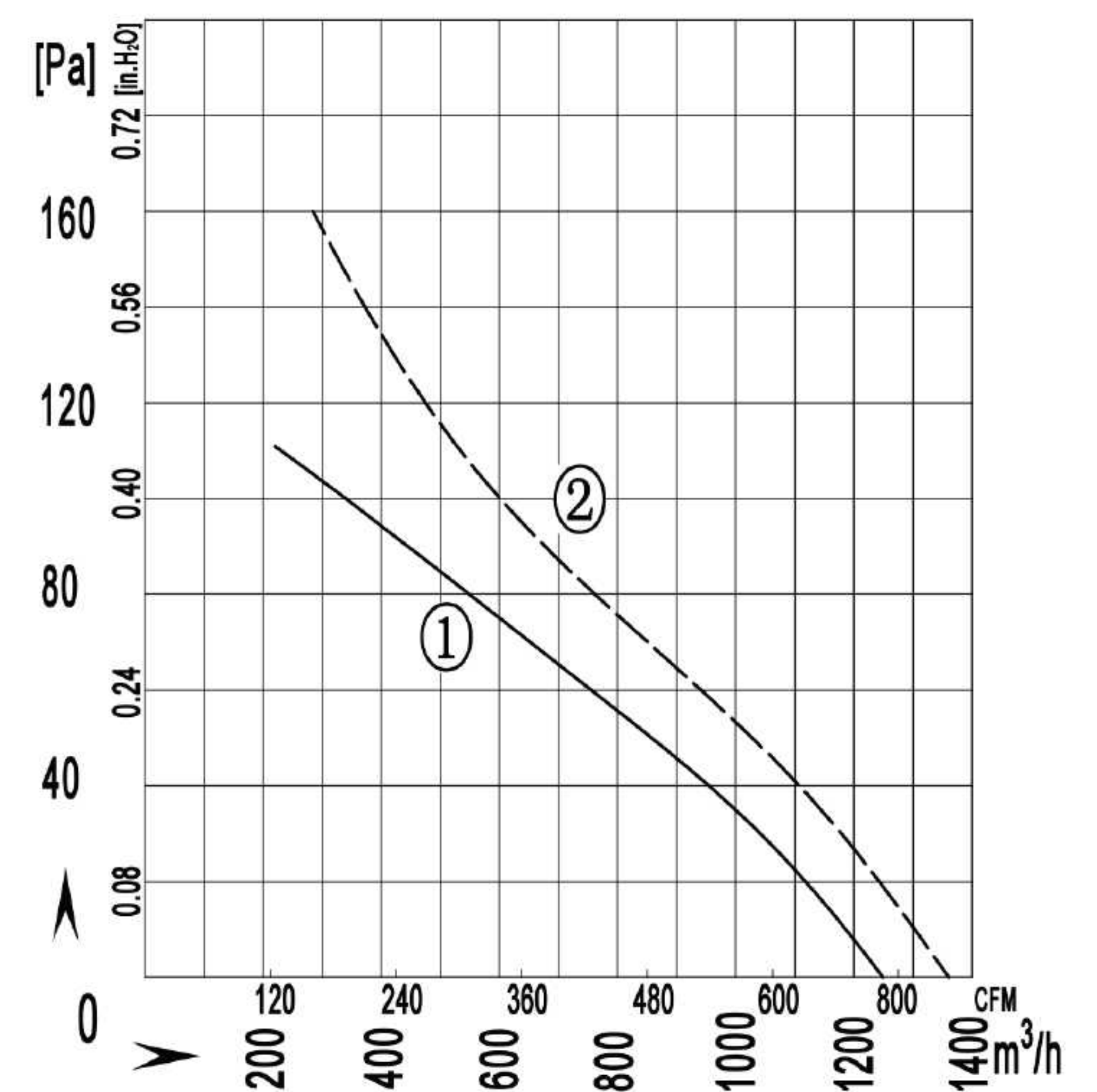


- Material : Cold rolled steel
- Protection Class: IP44
- Approvals: CCC/CE/ETL
- Insulation Class: F

Product Drawing



Flow Rate Curve



Technical Specifications

| Model | Voltage | Frequency | Current | Input Power | Speed | Capacitor | Speed | Noise | Curve |
|-------------------|----------|-----------|---------|-------------|---------|-----------|----------|---------|-------|
| LWAA2D230S-5AN-01 | 380/400V | 50Hz | 0.23A | 90W | 2700RPM | / | 1250m³/h | 59dB(A) | ① |
| LWAA2D230S-5AN-02 | | 60Hz | 0.22A | 120W | 2950RPM | | 1350m³/h | 61dB(A) | ② |

AC Axial Fan

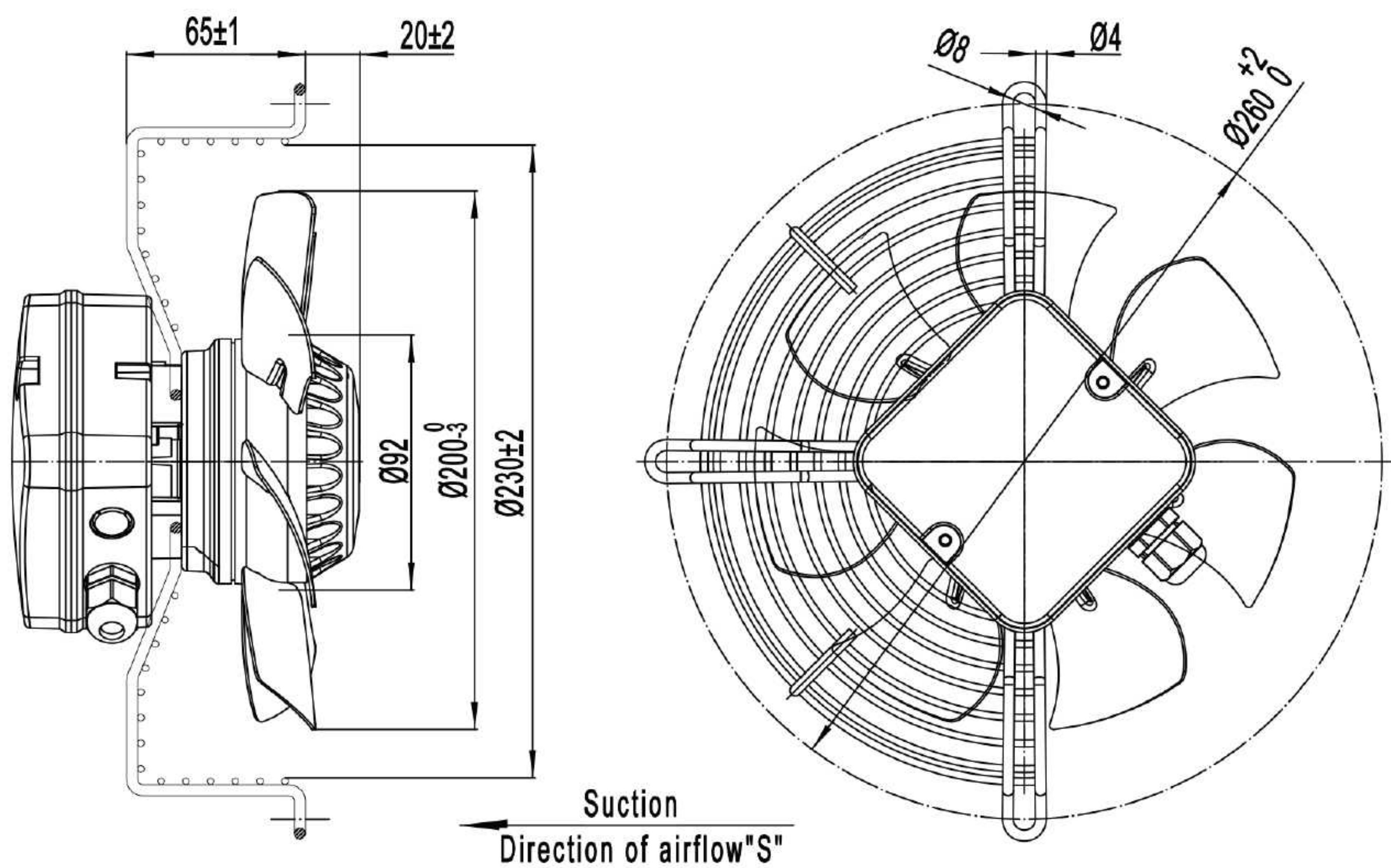
Product Characteristic

200S-7

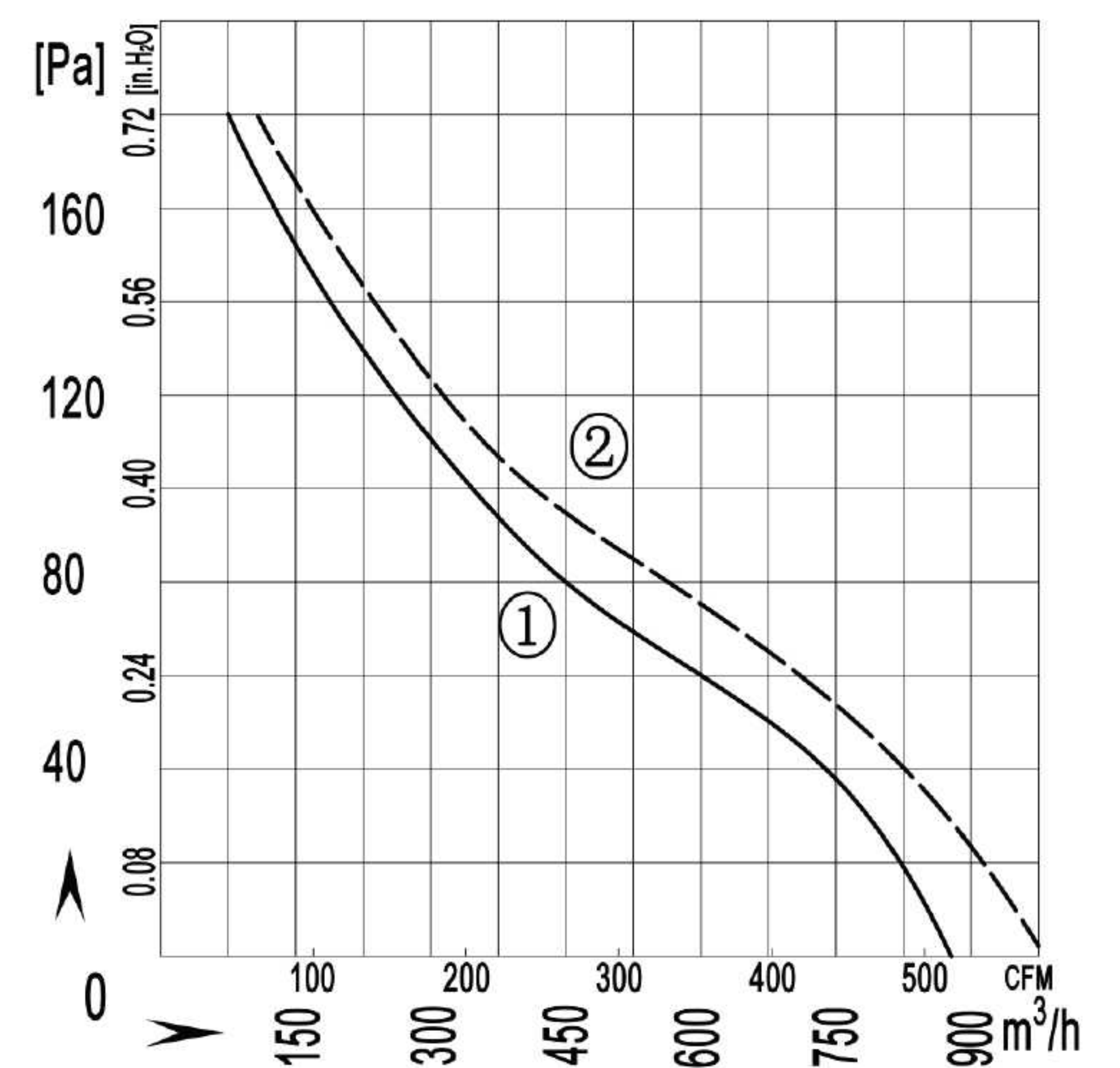


- Material : Cold rolled steel
- Protection Class: IP44
- Approvals: CCC/CE/ETL
- Insulation Class: F

Product Drawing



Flow Rate Curve



Technical Specifications

| Model | Voltage | Frequency | Current | Input Power | Speed | Capacitor | Speed | Noise | Curve |
|-------------------|----------|-----------|---------|-------------|---------|-----------|---------|---------|-------|
| LWAA2E200S-7DM-03 | 220/230V | 50Hz | 0.30A | 65W | 2300RPM | 2μ F | 880m³/h | 53dB(A) | ① |
| LWAA2E200S-7DM-04 | | 60Hz | 0.34A | 80W | 2600RPM | | 980m³/h | 55dB(A) | ② |
| LWAA2D200S-7DM-05 | 380/400V | 50Hz | 0.60A | 65W | 2300RPM | / | 880m³/h | 53dB(A) | ① |
| LWAA2D200S-7DM-06 | | 60Hz | 0.13A | 70W | 2400RPM | | 980m³/h | 55dB(A) | ② |

AC Axial Fan

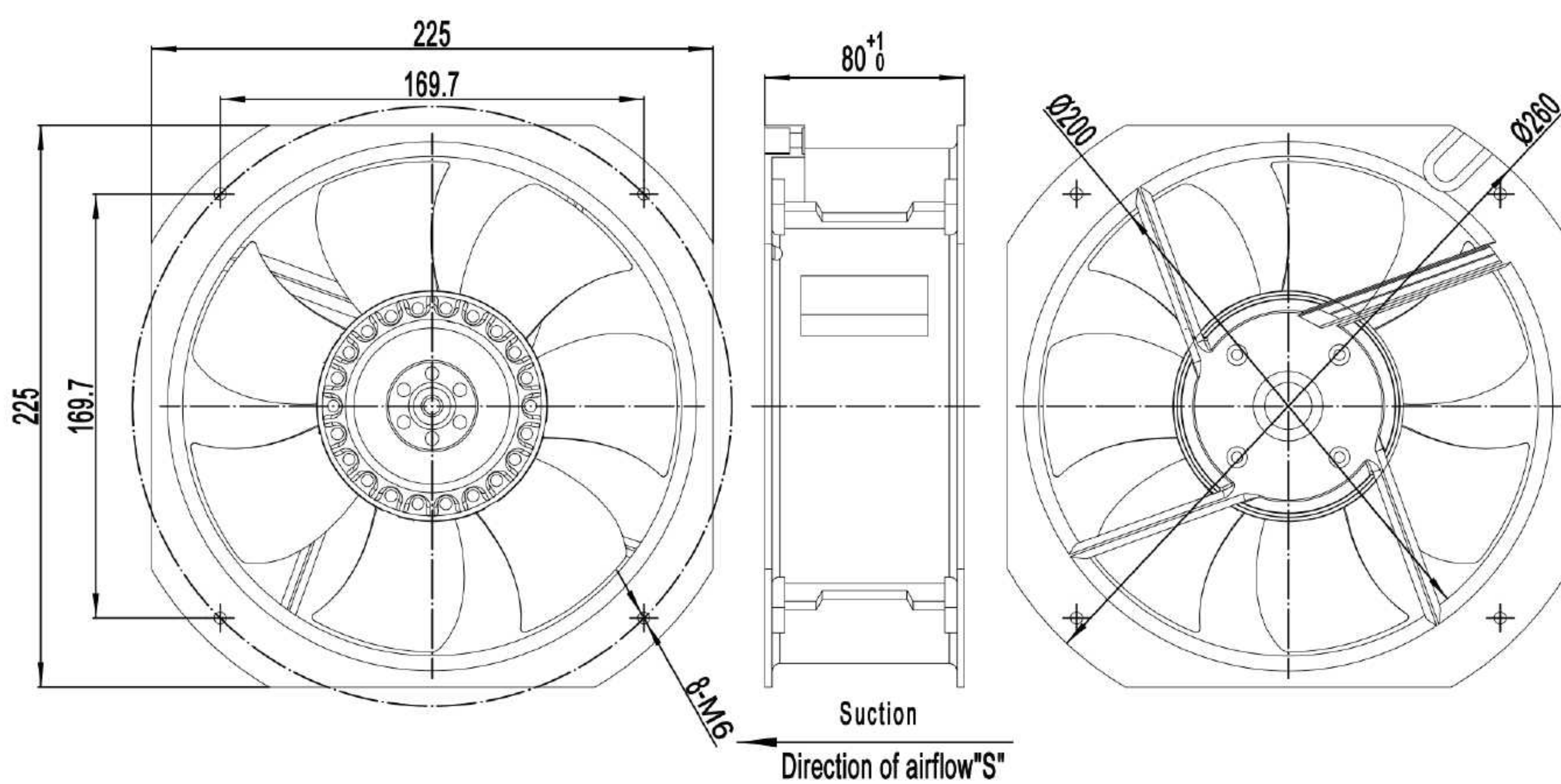
Product Characteristic

200S-7

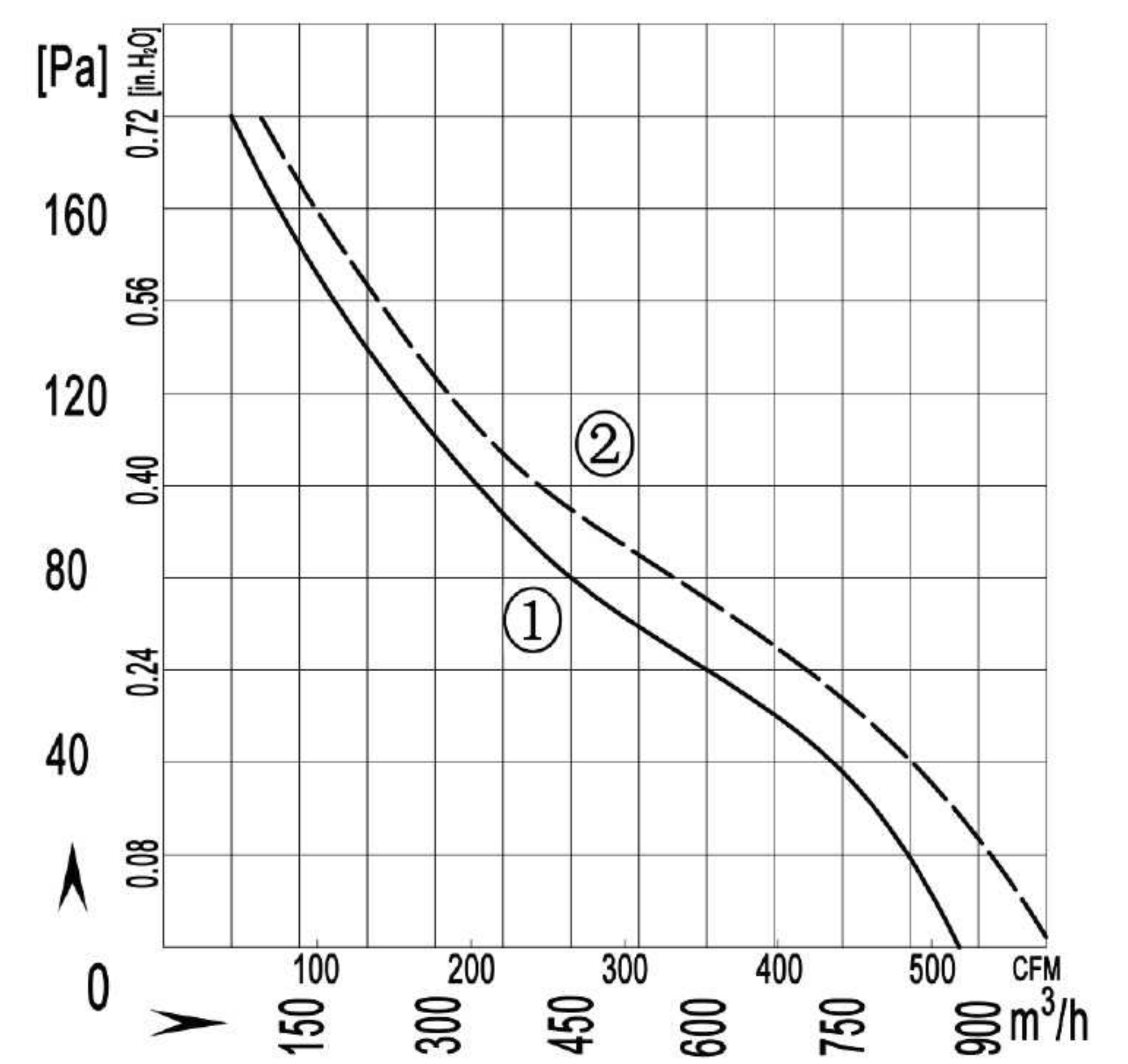
- Material : Cold rolled steel
- Protection Class: IP44
- Approvals: CCC/CE/ETL
- Insulation Class: F



Product Drawing



Flow Rate Curve



Technical Specifications

| Model | Voltage | Frequency | Current | Input Power | Speed | Capacitor | Speed | Noise | Curve |
|-------------------|----------|-----------|---------|-------------|---------|-----------|---------|---------|-------|
| LWAA2E200S-7KN-07 | 220/230V | 50Hz | 0.30A | 60W | 2550RPM | 2μ F | 880m³/h | 58dB(A) | ① |
| LWAA2E200S-7KN-08 | | 60Hz | 0.34A | 75W | 2800RPM | | 980m³/h | 60dB(A) | ② |
| LWAA2D200S-7KN-09 | 380/400V | 50Hz | 0.16A | 65W | 2300RPM | / | 880m³/h | 58dB(A) | ① |
| LWAA2D200S-7KN-10 | | 60Hz | 0.13A | 70W | 2400RPM | | 980m³/h | 60dB(A) | ② |

AC Axial Fan

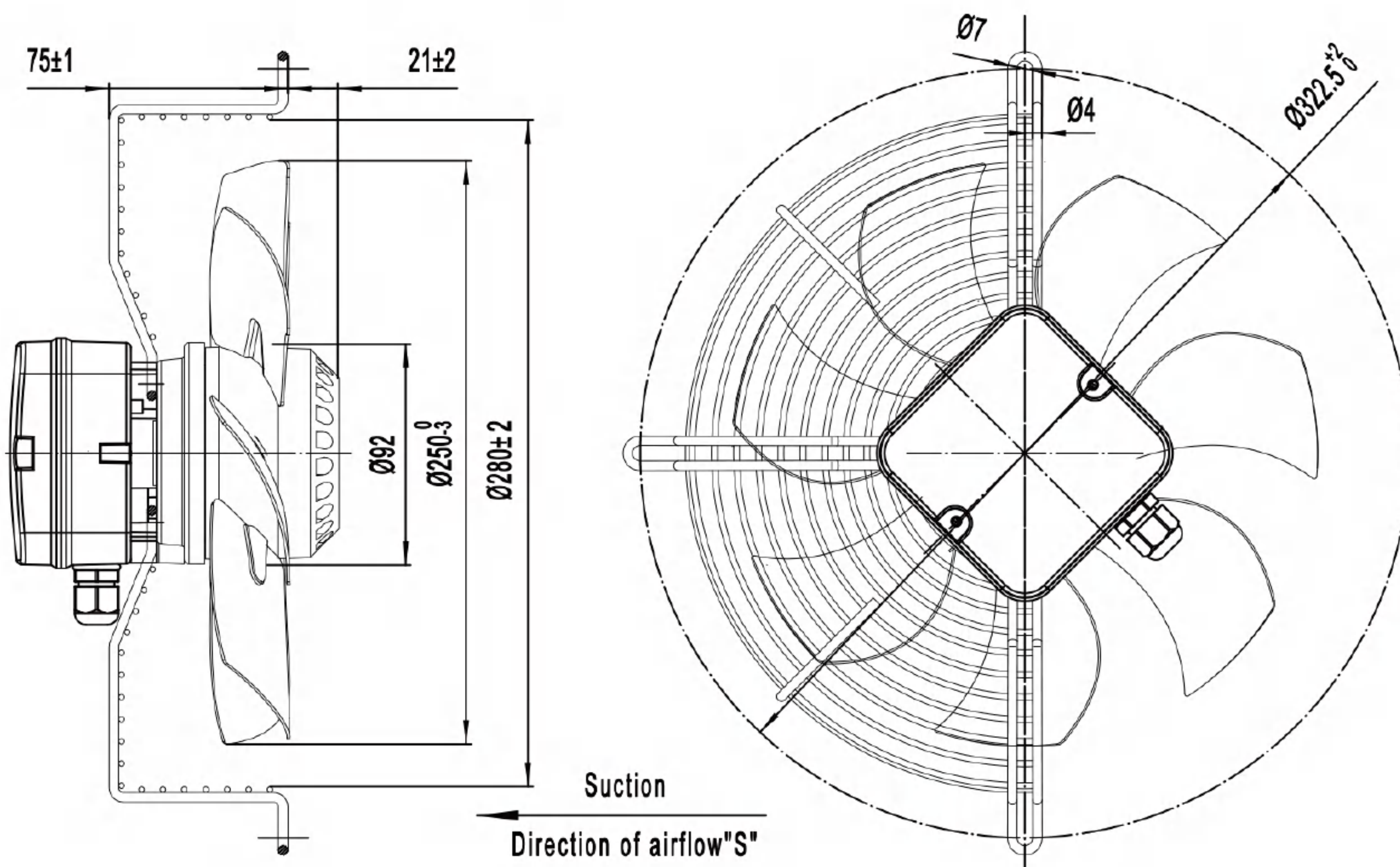
Product Characteristic

250S-7

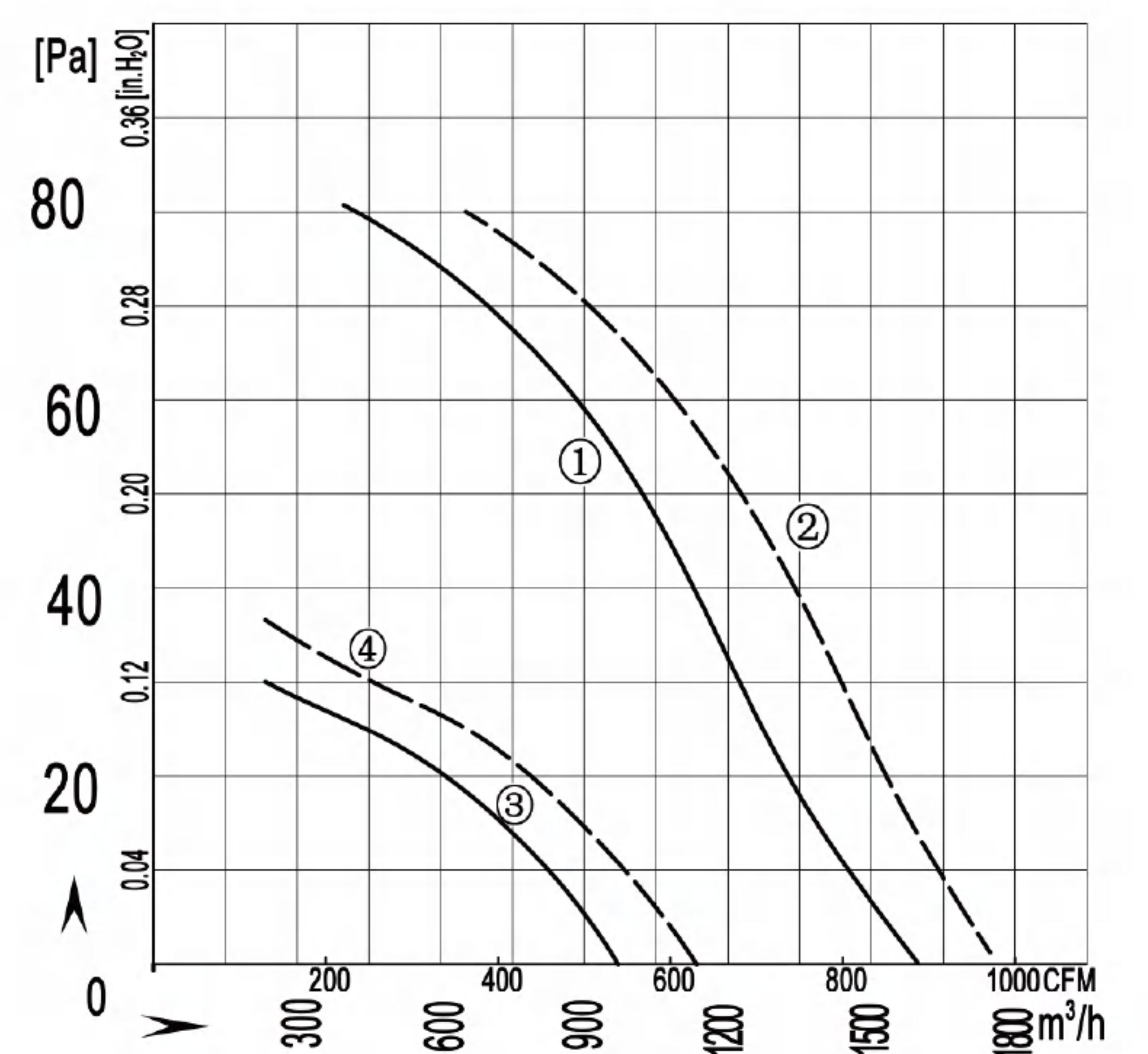
- Material : Cold rolled steel
- Protection Class: IP44
- Approvals: CCC/CE/ETL
- Insulation Class: F



Product Drawing



Flow Rate Curve



Technical Specifications

| Model | Voltage | Frequency | Current | Input Power | Speed | Capacitor | Speed | Noise | Curve |
|-------------------|----------|-----------|---------|-------------|---------|-----------|----------|---------|-------|
| LWAA2E250S-5DM-01 | 220/230V | 50Hz | 0.50A | 110W | 2500RPM | 3μ F | 1600m³/h | 65dB(A) | ① |
| LWAA2E250S-5DM-02 | | 60Hz | 0.65A | 130W | 2600RPM | | 1800m³/h | 67dB(A) | ② |
| LWAA2D250S-5DM-03 | 380/400V | 50Hz | 0.18A | 100W | 2500RPM | / | 1600m³/h | 65dB(A) | ① |
| LWAA2D250S-5DM-04 | | 60Hz | 0.22A | 130W | 2600RPM | | 1800m³/h | 67dB(A) | ② |
| LWAA4E250S-7DM-05 | 220/230V | 50Hz | 0.25A | 50W | 1400RPM | 2μ F | 950m³/h | 53dB(A) | ③ |
| LWAA4E250S-7DM-06 | | 60Hz | 0.27A | 60W | 1650RPM | | 1100m³/h | 54dB(A) | ④ |
| LWAA4D250S-7DM-07 | 380/400V | 50Hz | 0.18A | 50W | 1400RPM | / | 950m³/h | 53dB(A) | ③ |
| LWAA4D250S-7DM-08 | | 60Hz | 0.15A | 45W | 1650RPM | | 1100m³/h | 54dB(A) | ④ |

AC Axial Fan

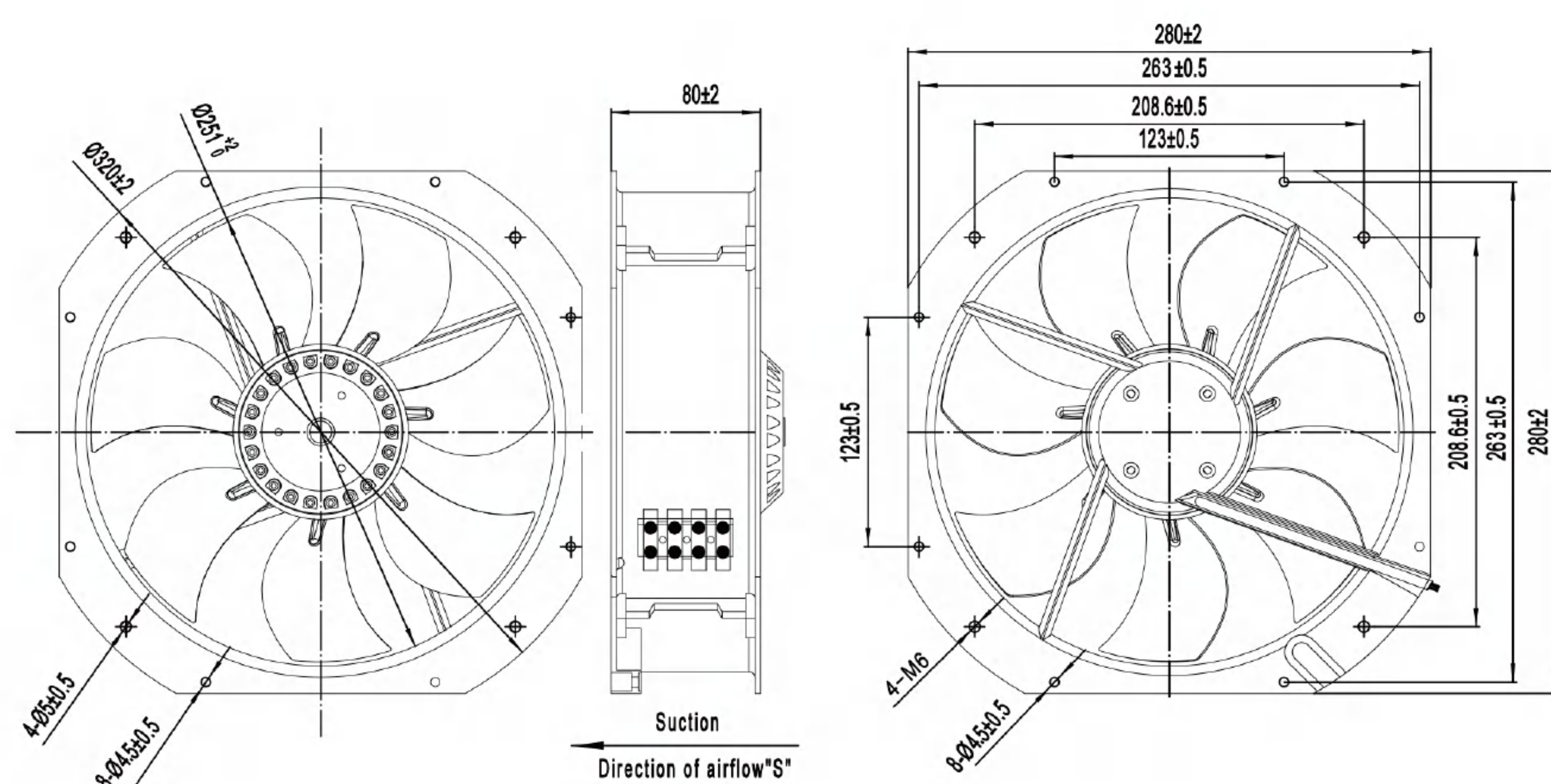
Product Characteristic

250S-7

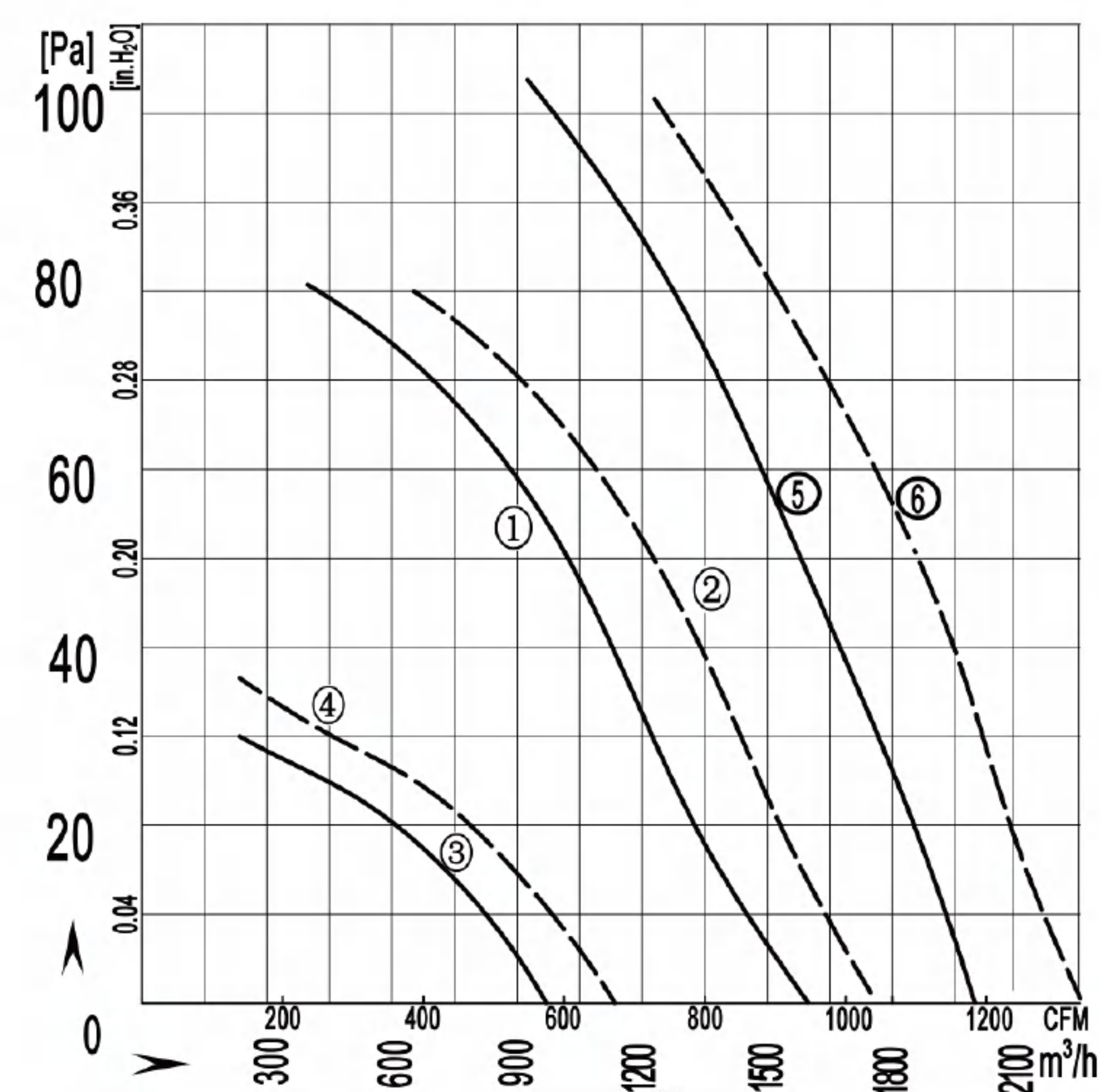
- Material : Cold rolled steel
- Protection Class: IP44
- Approvals: CCC/CE/ETL
- Insulation Class: F



Product Drawing



Flow Rate Curve



Technical Specifications

| Model | Voltage | Frequency | Current | Input Power | Speed | Capacitor | Speed | Noise | Curve |
|-------------------|----------|-----------|---------|-------------|---------|-----------|----------|---------|-------|
| LWAA2E250S-5KN-09 | 220/230V | 50Hz | 0.42A | 90W | 2600RPM | 3μ F | 1600m³/h | 66dB(A) | ① |
| LWAA2E250S-5KN-10 | | 60Hz | 0.55A | 115W | 2900RPM | | 1800m³/h | 67dB(A) | ② |
| LWAA2D250S-5KN-11 | 380/400V | 50Hz | 0.20A | 100W | 2500RPM | / | 1600m³/h | 66dB(A) | ① |
| LWAA2D250S-5KN-12 | | 60Hz | 0.22A | 130W | 2600RPM | | 1800m³/h | 67dB(A) | ② |
| LWAA4E250S-7KN-13 | 220/230V | 50Hz | 0.25A | 50W | 1400RPM | 2μ F | 950m³/h | 53dB(A) | ③ |
| LWAA4E250S-7KN-14 | | 60Hz | 0.30A | 55W | 1620RPM | | 1100m³/h | 54dB(A) | ④ |
| LWAA2E250S-7DM-15 | 220/230V | 50Hz | 0.60A | 130W | 2700RPM | 4μ F | 2000m³/h | 67dB(A) | ⑤ |
| LWAA2E250S-7DM-16 | | 60Hz | 0.70A | 170W | 2900RPM | | 2250m³/h | 69dB(A) | ⑥ |

AC Axial Fan

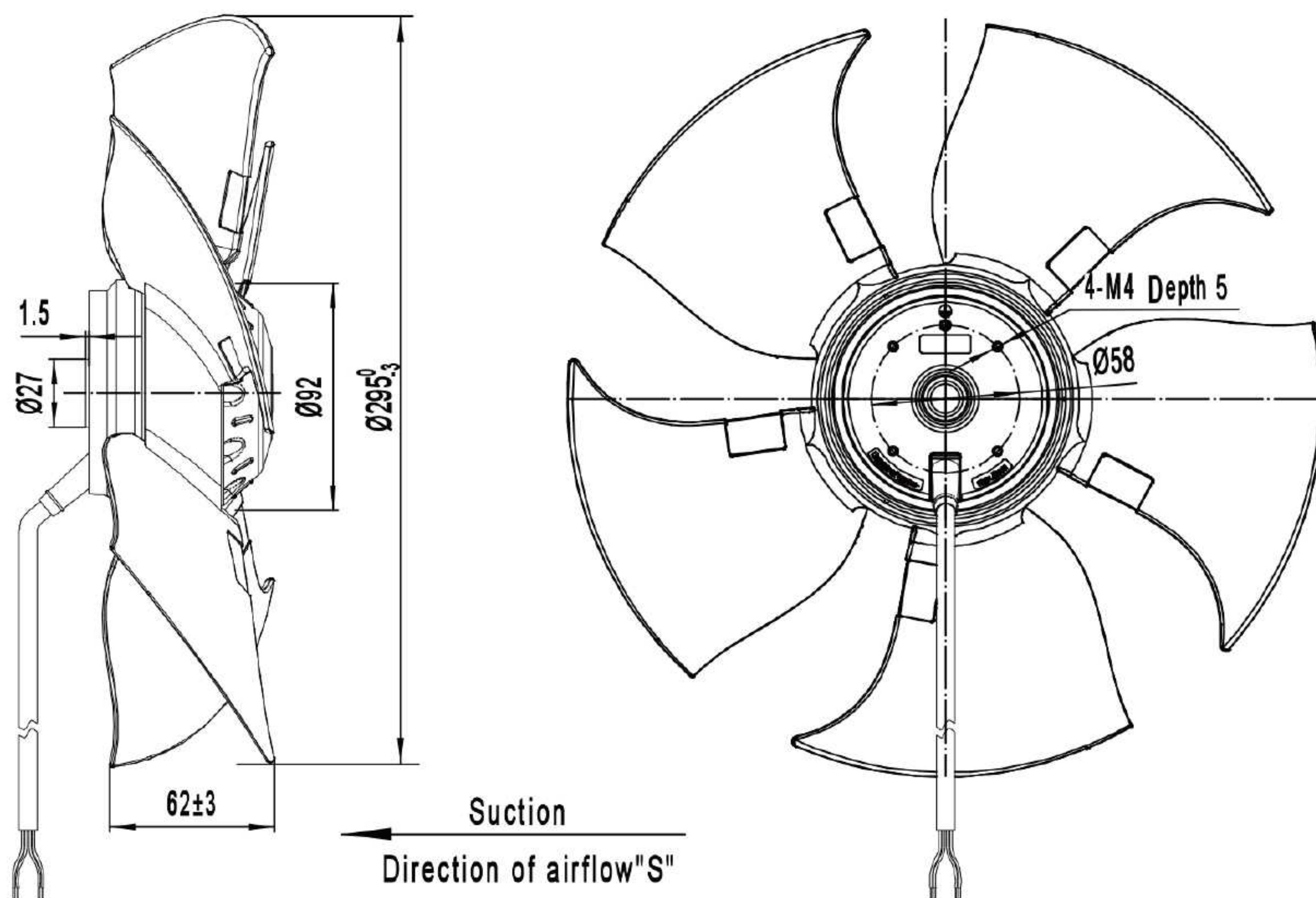
Product Characteristic

295S-5

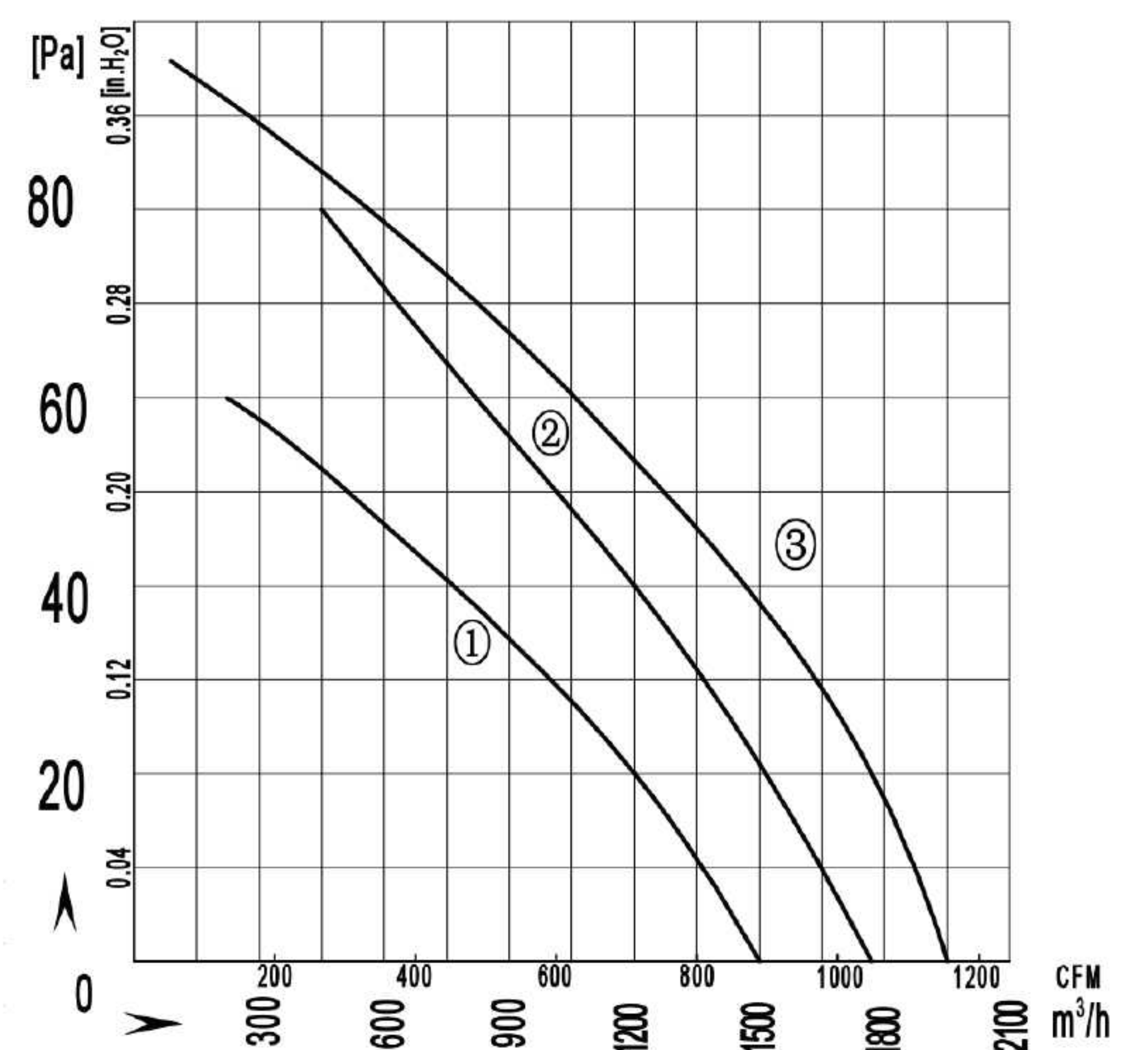


- Impeller Material : Plastic PA66
- Protection Class: IP44
- Approvals: CCC/CE/ETL
- Insulation Class: F

Product Drawing



Flow Rate Curve



Technical Specifications

| Model | Voltage | Frequency | Current | Input Power | Speed | Capacitor | Speed | Noise | Curve |
|-------------------|----------|-----------|---------|-------------|---------|-----------|----------|---------|-------|
| LWAA4E295S-5AN-01 | 220/230V | 50Hz | 0.30A | 65W | 1200RPM | 2μ F | 1500m³/h | 45dB(A) | ① |
| LWAA4E295S-5AN-03 | 220/230V | 50Hz | 0.40A | 80W | 1400RPM | 3μ F | 1550m³/h | 48dB(A) | ② |
| LWAA4D295S-5AN-05 | 380/400V | 50Hz | 0.19A | 75W | 1330RPM | / | 1750m³/h | 49dB(A) | ② |
| LWAA4D295S-5AN-06 | | 60Hz | 0.17A | 90W | 1450RPM | | 1950m³/h | 50dB(A) | ③ |

AC Axial Fan

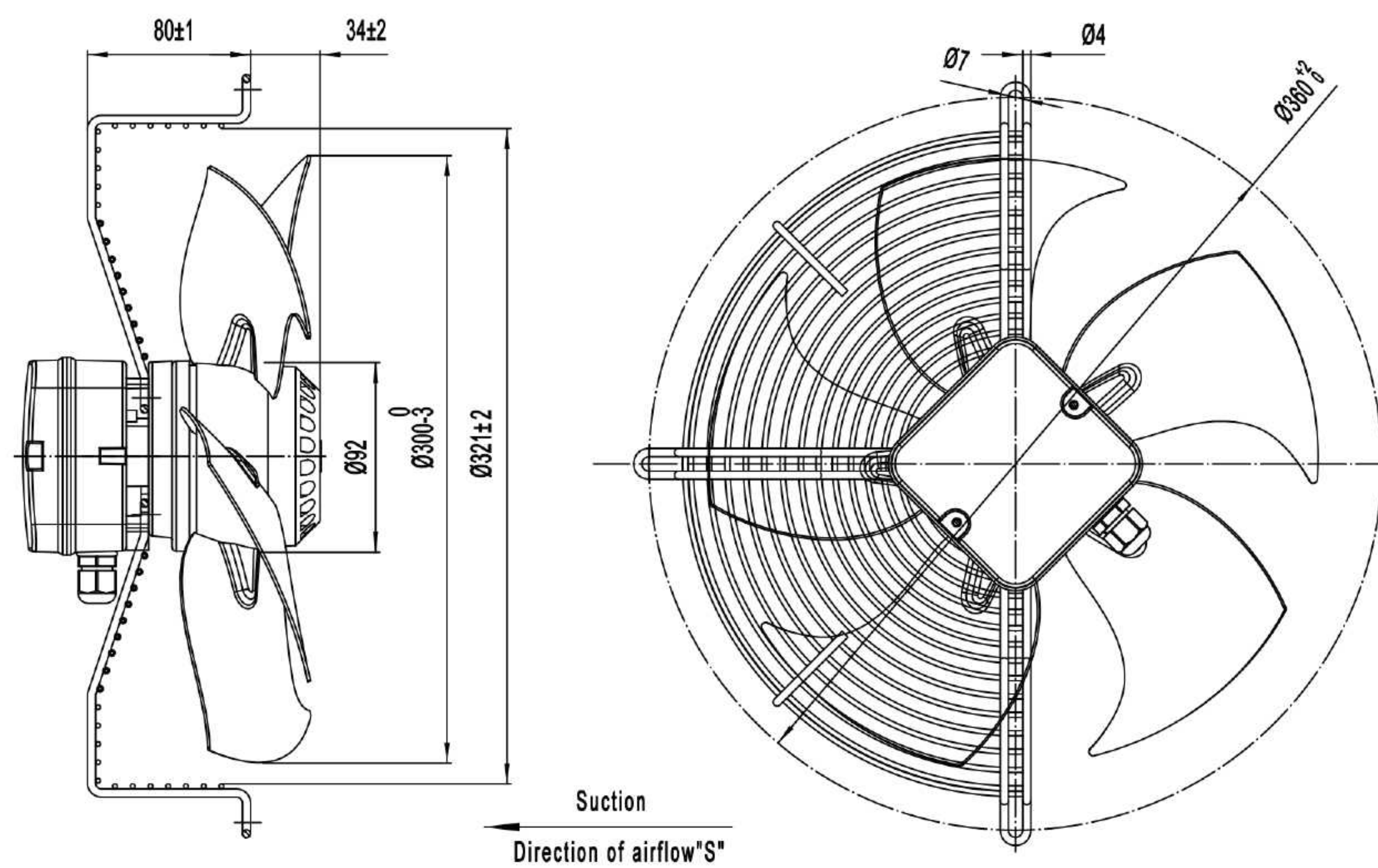
Product Characteristic

300S-5

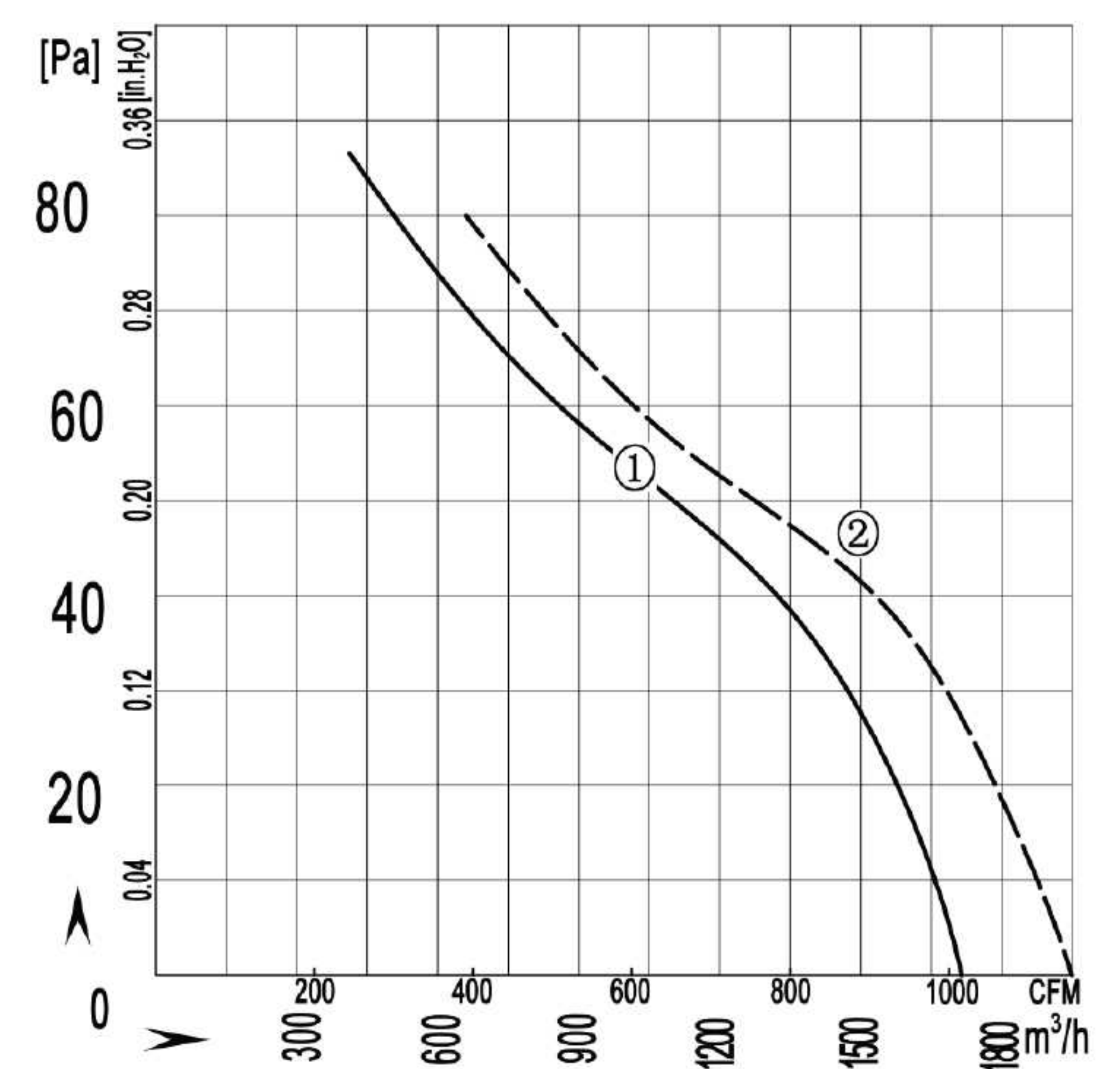
- Material : Cold rolled steel
- Protection Class: IP44
- Approvals: CCC/CE/ETL
- Insulation Class: F



Product Drawing



Flow Rate Curve



Technical Specifications

| Model | Voltage | Frequency | Current | Input Power | Speed | Capacitor | Speed | Noise | Curve |
|-------------------|----------|-----------|---------|-------------|---------|-----------|----------|---------|-------|
| LWAA4E300S-5DM-01 | 220/230V | 50Hz | 0.42A | 90W | 1350RPM | 3μ F | 1750m³/h | 52dB(A) | ① |
| LWAA4E300S-5DM-02 | | 60Hz | 0.51A | 115W | 1600RPM | | 2000m³/h | 55dB(A) | ② |
| LWAA4D300S-5DM-03 | 380/400V | 50Hz | 0.25A | 90W | 1380RPM | / | 1750m³/h | 52dB(A) | ① |
| LWAA4D300S-5DM-04 | | 60Hz | 0.26A | 120W | 1640RPM | | 2000m³/h | 55dB(A) | ② |

AC Axial Fan

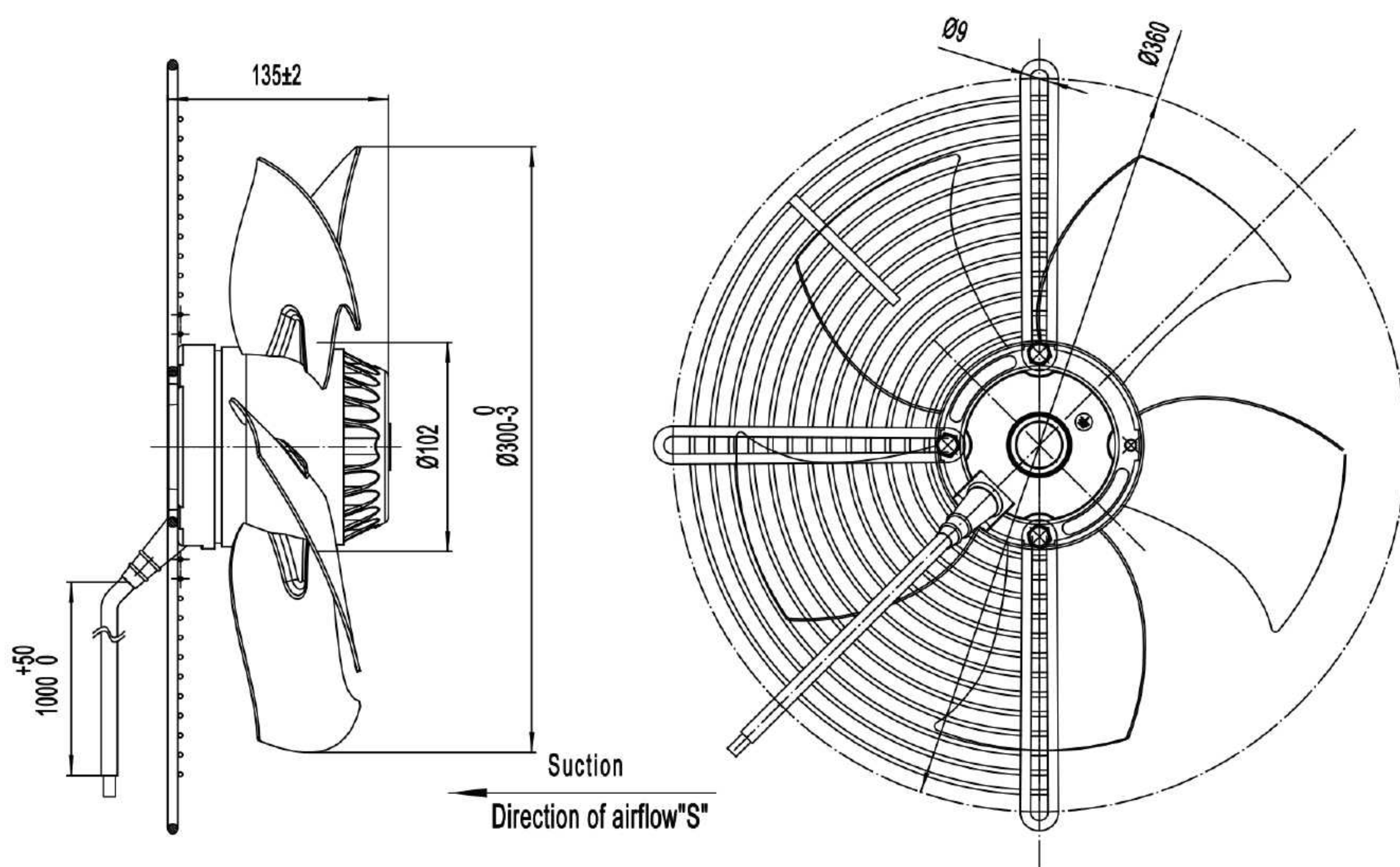
Product Characteristic

300S-5

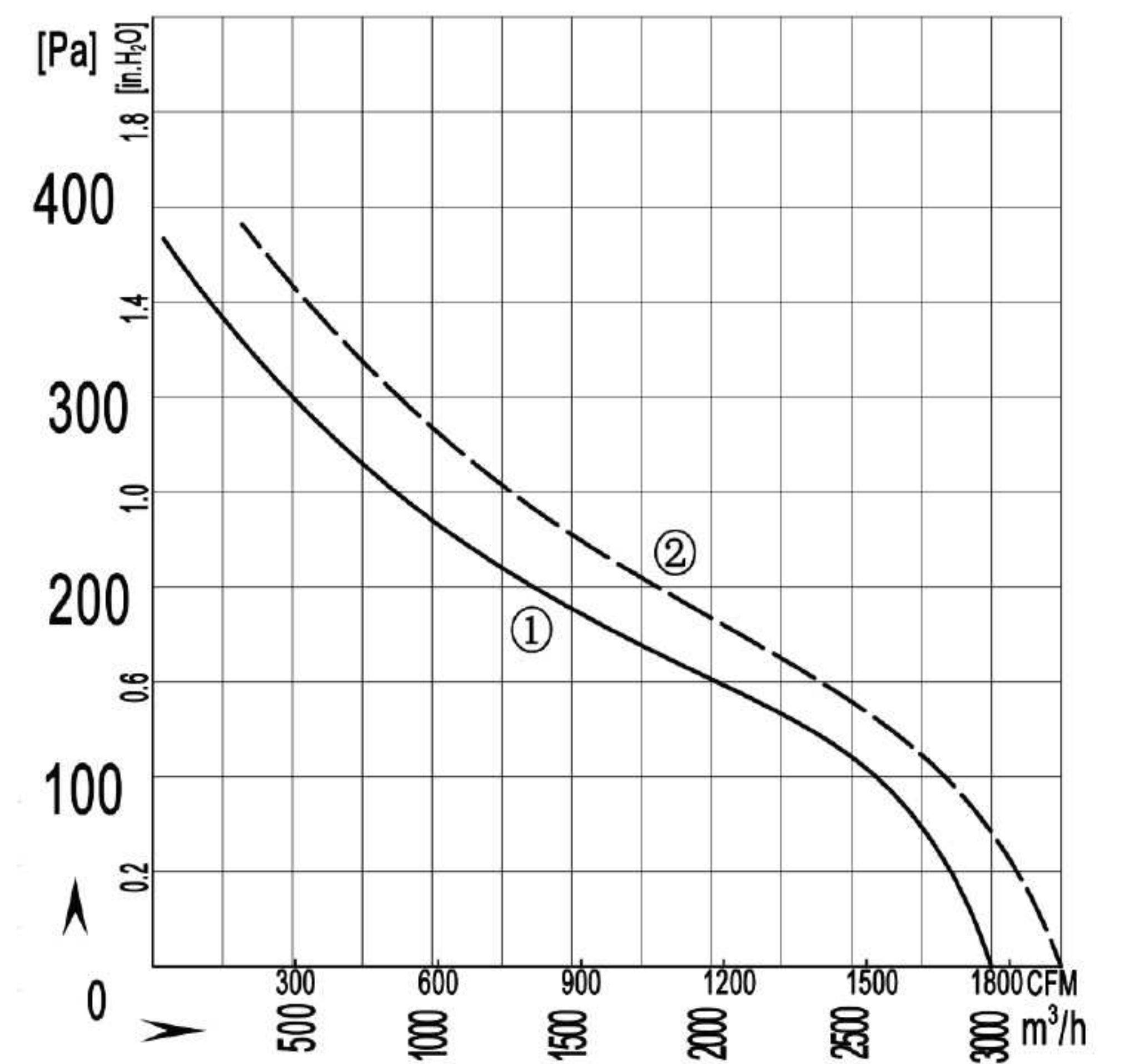


- Material : Cold rolled steel
- Protection Class: IP54
- Approvals: CCC/CE/ETL
- Insulation Class: F

Product Drawing



Flow Rate Curve



Technical Specifications

| Model | Voltage | Frequency | Current | Input Power | Speed | Capacitor | Speed | Noise | Curve |
|-------------------|----------|-----------|---------|-------------|---------|-----------|----------|---------|-------|
| LWAA2D300S-5BN-05 | 380/400V | 50Hz | 0.56A | 270W | 2750RPM | / | 3000m³/h | 72dB(A) | ① |
| LWAA2D300S-5BN-06 | | 60Hz | 0.70A | 400W | 3100RPM | | 3200m³/h | 73dB(A) | ② |
| LWAA2E300S-5BN-07 | 220V | 50Hz | 1.20A | 270W | 2750RPM | 7µ F | 3000m³/h | 72dB(A) | ① |
| LWAA2E300S-5BN-08 | | 60Hz | 2.00A | 400W | 3000RPM | | 3400m³/h | 73dB(A) | ② |

AC Axial Fan

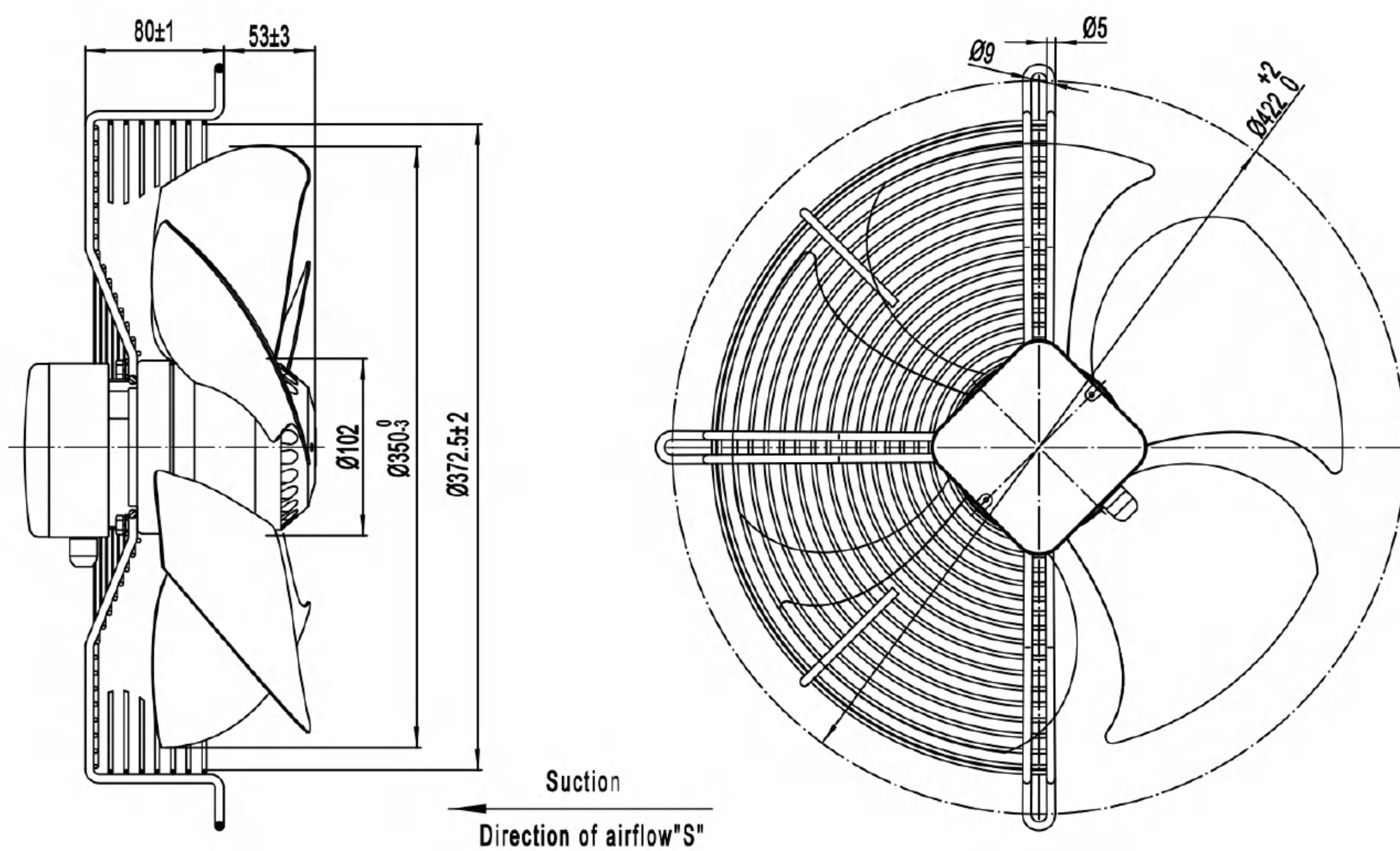
Product Characteristic

350S-5

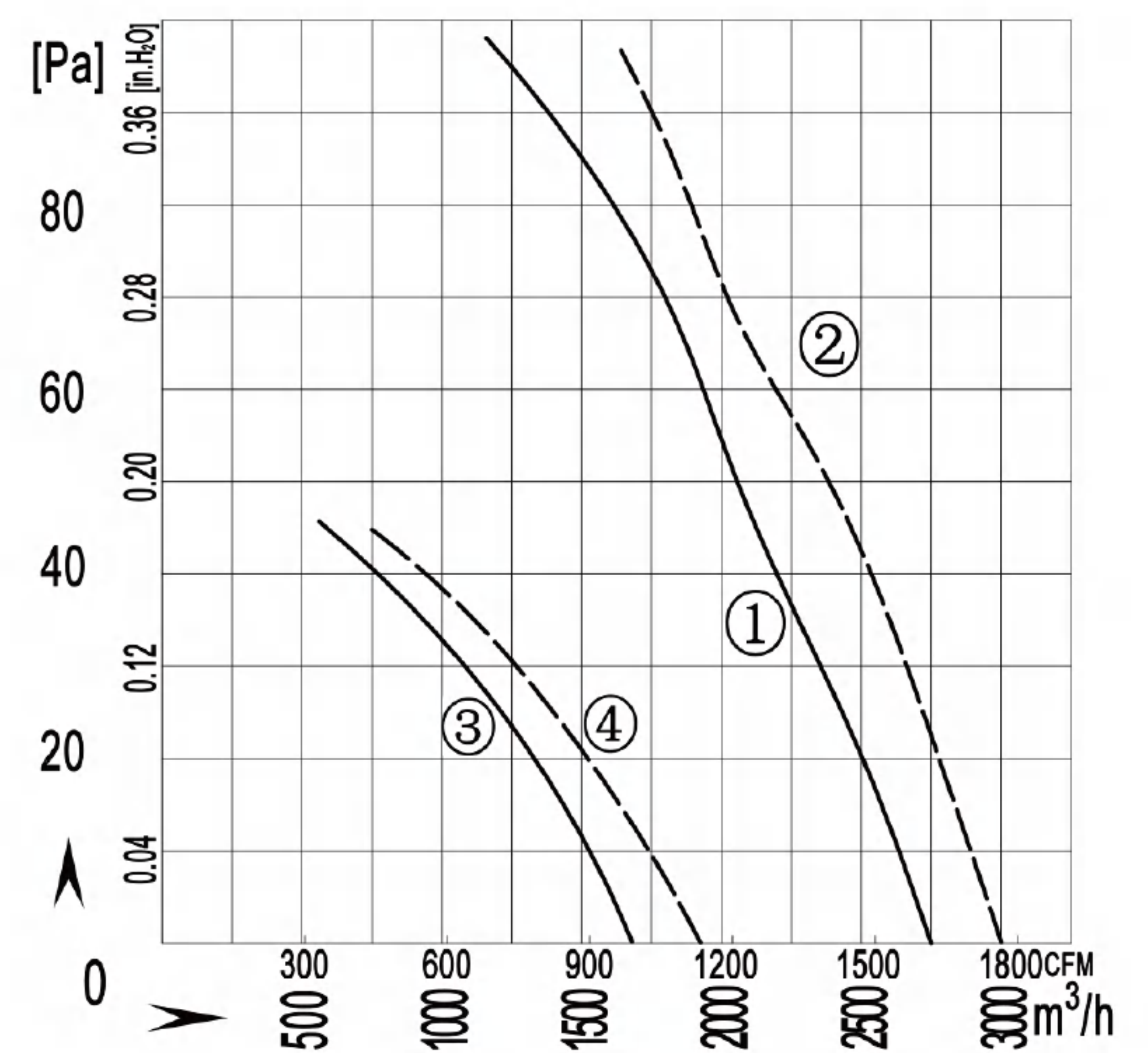


- Material : Cold rolled steel
- Protection Class: IP54
- Approvals: CCC/CE/ETL
- Insulation Class: F

Product Drawing



Flow Rate Curve



Technical Specifications

| Model | Voltage | Frequency | Current | Input Power | Speed | Capacitor | Speed | Noise | Curve |
|-------------------|----------|-----------|---------|-------------|---------|-----------|----------|---------|-------|
| LWAA4E350S-5DM-01 | 220/230V | 50Hz | 0.60A | 135W | 1380RPM | 3μ F | 2700m³/h | 58dB(A) | ① |
| LWAA4E350S-5DM-02 | | 60Hz | 0.83A | 190W | 1550RPM | | 3000m³/h | 60dB(A) | ② |
| LWAA4D350S-5DM-03 | 380/400V | 50Hz | 0.30A | 135W | 1360RPM | / | 2700m³/h | 58dB(A) | ① |
| LWAA4D350S-5DM-04 | | 60Hz | 0.34A | 170W | 1500RPM | | 3000m³/h | 60dB(A) | ② |
| LWAA6E350S-5DM-05 | 220/230V | 50Hz | 0.40A | 75W | 950RPM | 3μ F | 1560m³/h | 53dB(A) | ③ |
| LWAA6E350S-5DM-06 | | 60Hz | 0.37A | 83W | 1100RPM | | 1800m³/h | 54dB(A) | ④ |
| LWAA6D350S-5DM-07 | 380/400V | 50Hz | 0.29A | 70W | 920RPM | / | 1560m³/h | 53dB(A) | ③ |
| LWAA6D350S-5DM-08 | | 60Hz | 0.20A | 80W | 1050RPM | | 1800m³/h | 54dB(A) | ④ |

AC Axial Fan

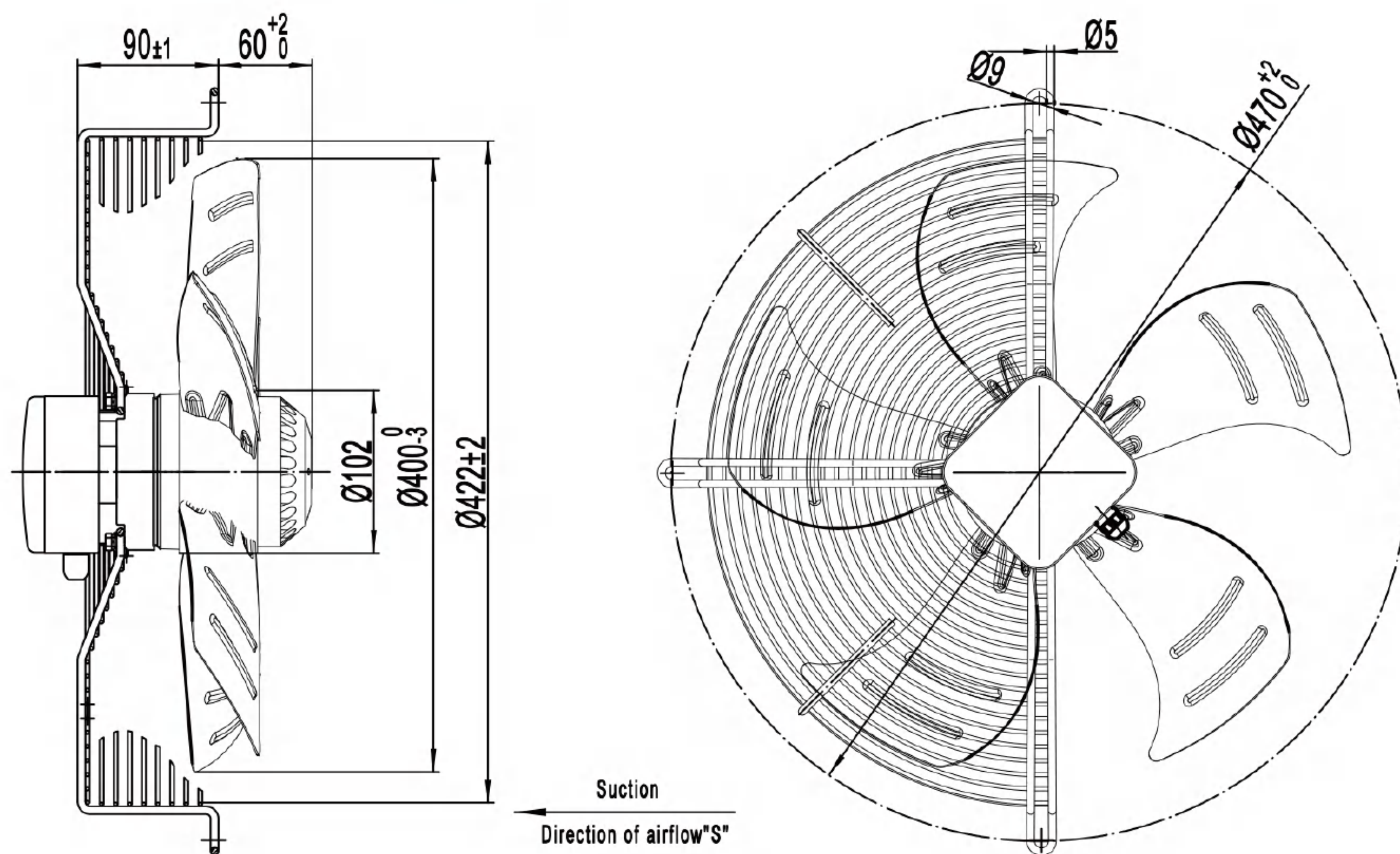
Product Characteristic

400S-5

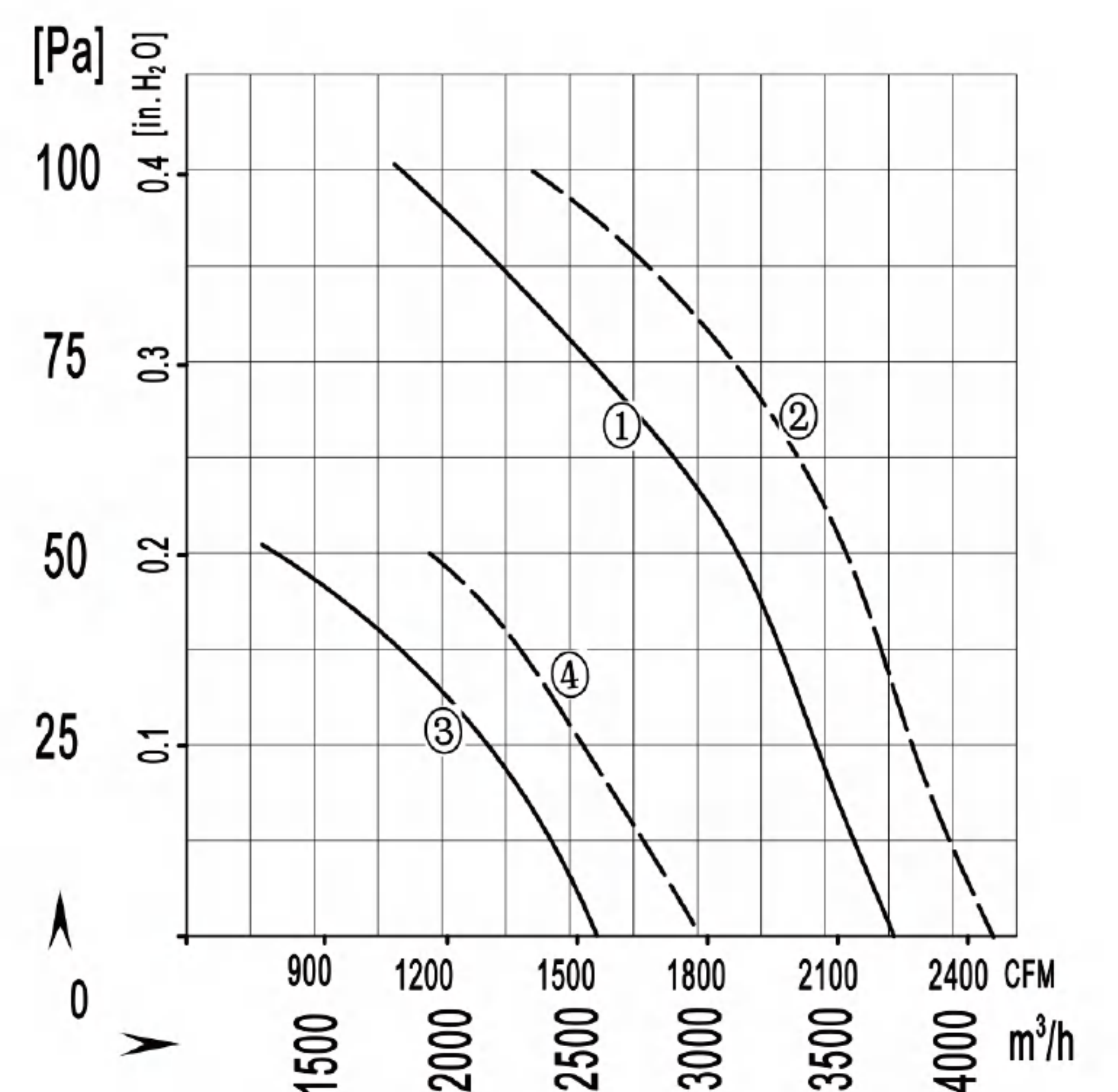


- Material : Cold rolled steel
- Protection Class: IP54
- Approvals: CCC/CE/ETL
- Insulation Class: F

Product Drawing



Flow Rate Curve



Technical Specifications

| Model | Voltage | Frequency | Current | Input Power | Speed | Capacitor | Speed | Noise | Curve |
|-------------------|----------|-----------|---------|-------------|---------|-----------|----------|---------|-------|
| LWAA4E400S-5DM-01 | 220/230V | 50Hz | 0.90A | 180W | 1350RPM | 6μ F | 3700m³/h | 60dB(A) | ① |
| LWAA4E400S-5DM-02 | | 60Hz | 1.22A | 260W | 1580RPM | | 4100m³/h | 62dB(A) | ② |
| LWAA4D400S-5DM-03 | 380/400V | 50Hz | 0.50A | 180W | 1370RPM | / | 3700m³/h | 60dB(A) | ① |
| LWAA4D400S-5DM-04 | | 60Hz | 0.47A | 240W | 1620RPM | | 4100m³/h | 62dB(A) | ② |
| LWAA6E400S-5DM-05 | 220/230V | 50Hz | 0.50A | 100W | 950RPM | 4μ F | 2600m³/h | 49dB(A) | ③ |
| LWAA6E400S-5DM-06 | | 60Hz | 0.54A | 120W | 1100RPM | | 3000m³/h | 52dB(A) | ④ |
| LWAA6D400S-5DM-07 | 380/400V | 50Hz | 0.31A | 100W | 930RPM | / | 2600m³/h | 49dB(A) | ③ |
| LWAA6D400S-5DM-08 | | 60Hz | 0.31A | 120W | 1100RPM | | 3000m³/h | 52dB(A) | ④ |

AC Axial Fan

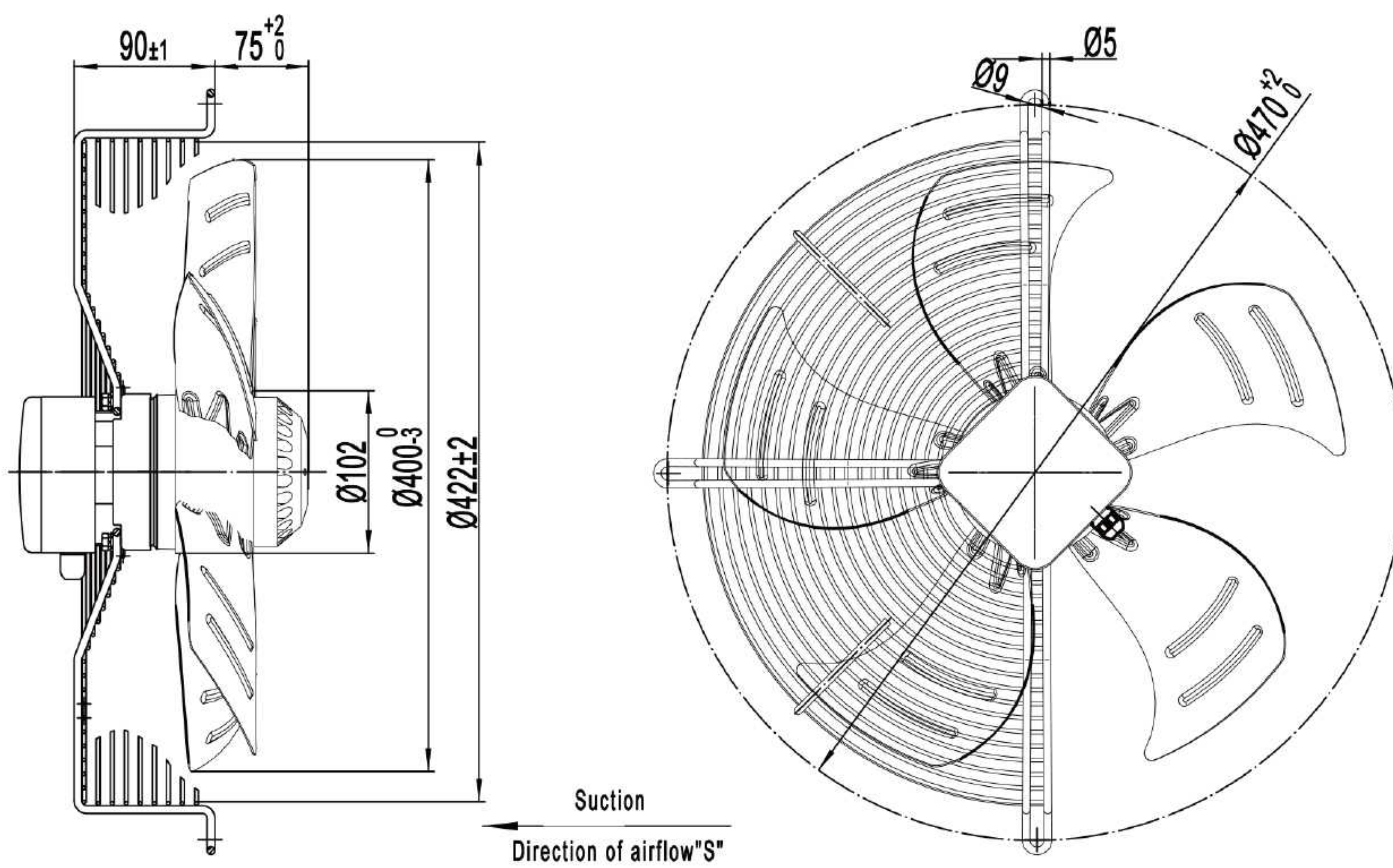
Product Characteristic

400S-5

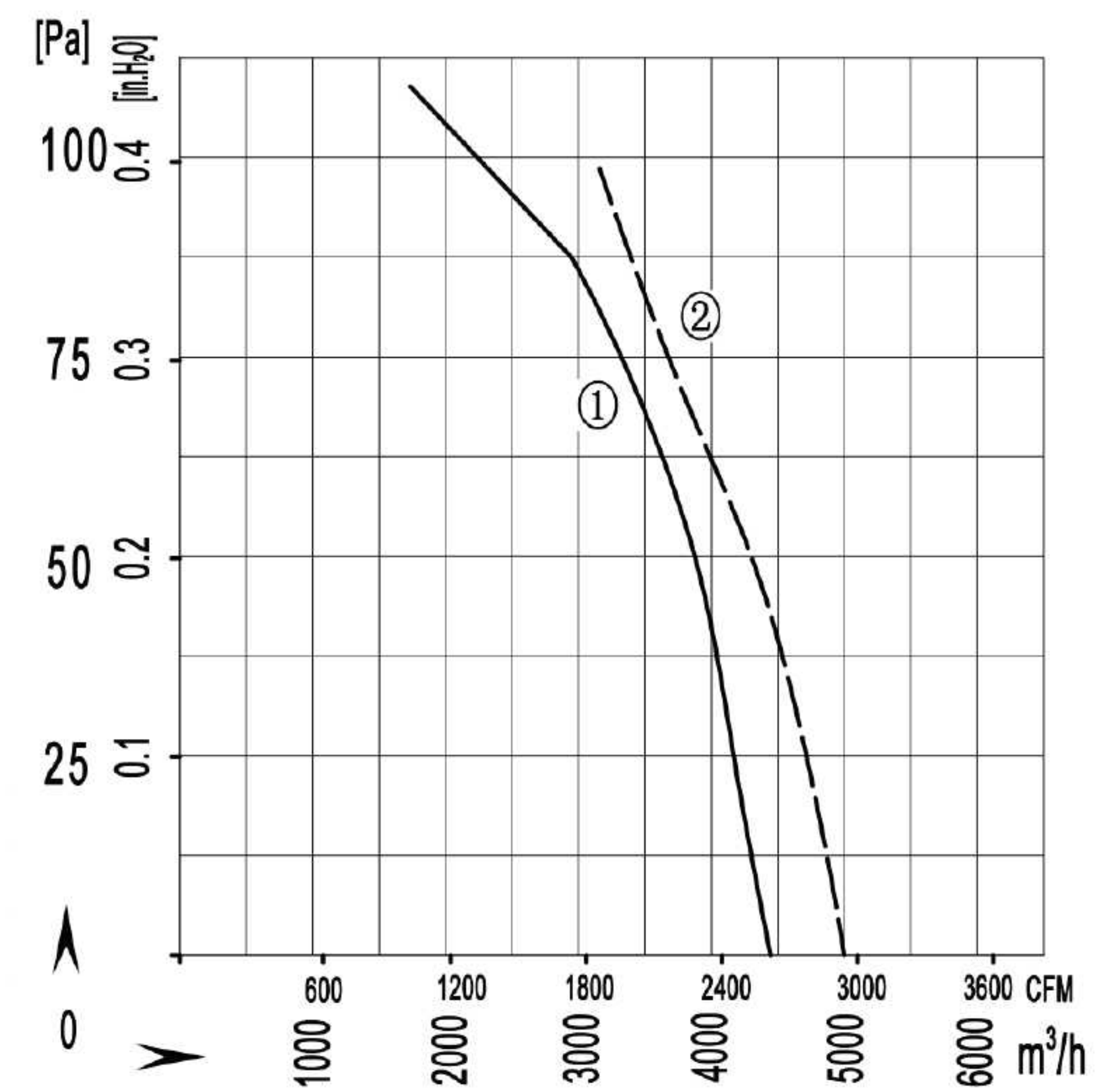


- Material : Cold rolled steel
- Protection Class: IP54
- Approvals: CCC/CE/ETL
- Insulation Class: F

Product Drawing



Flow Rate Curve



Technical Specifications

| Model | Voltage | Frequency | Current | Input Power | Speed | Capacitor | Speed | Noise | Curve |
|-------------------|----------|-----------|---------|-------------|---------|-----------|----------|---------|-------|
| LWAA4E400S-5DM-09 | 220/230V | 50Hz | 1.10A | 230W | 1350RPM | 7μ F | 4400m³/h | 62dB(A) | ① |
| LWAA4E400S-5DM-10 | | 60Hz | 1.20A | 280W | 1600RPM | | 5000m³/h | 64dB(A) | ② |
| LWAA4D400S-5DM-11 | 380/400V | 50Hz | 0.50A | 230W | 1350RPM | / | 4400m³/h | 62dB(A) | ① |
| LWAA4D400S-5DM-12 | | 60Hz | 0.60A | 280W | 1600RPM | | 5000m³/h | 64dB(A) | ② |

AC Axial Fan

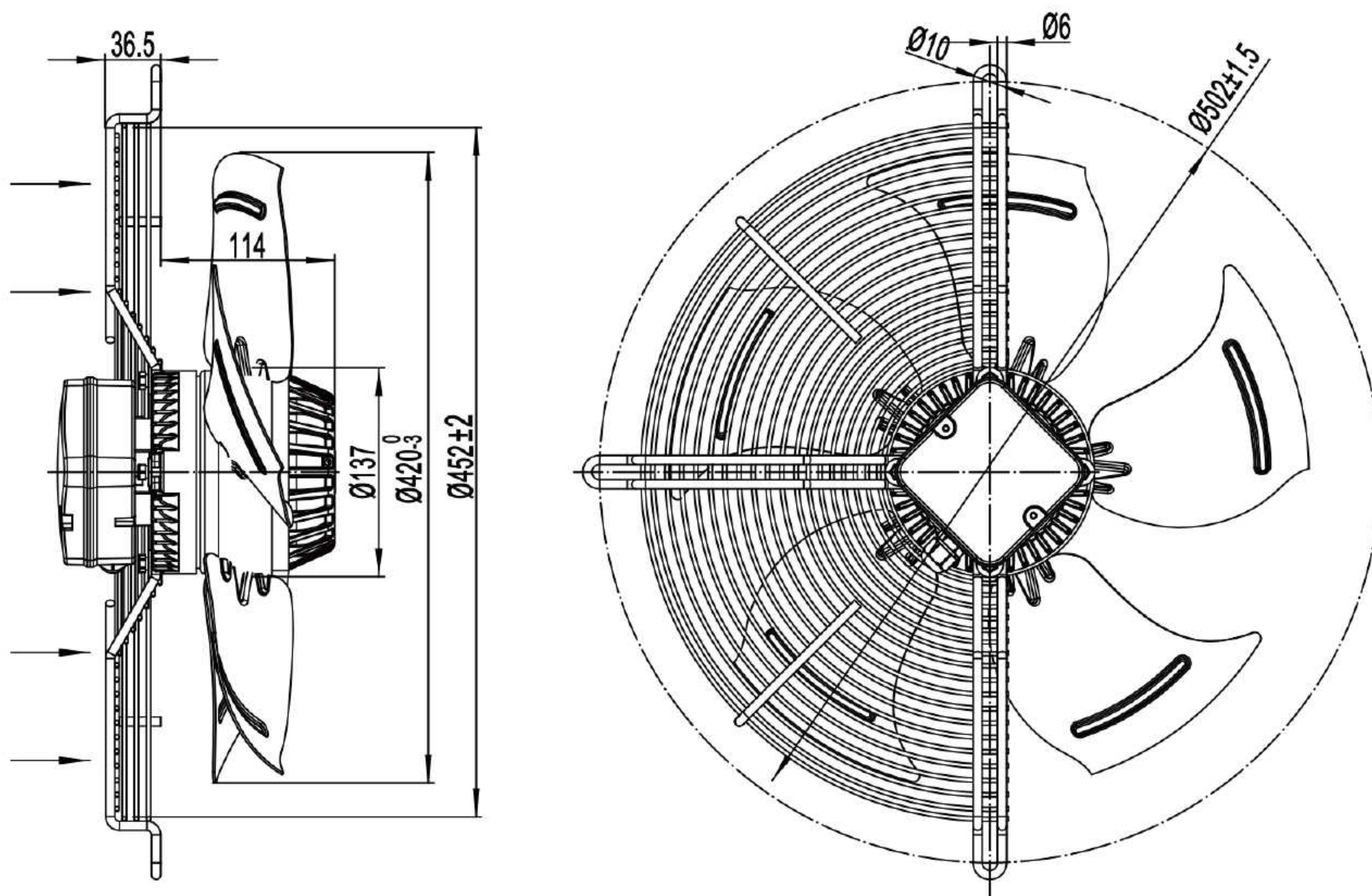
Product Characteristic

420S-5

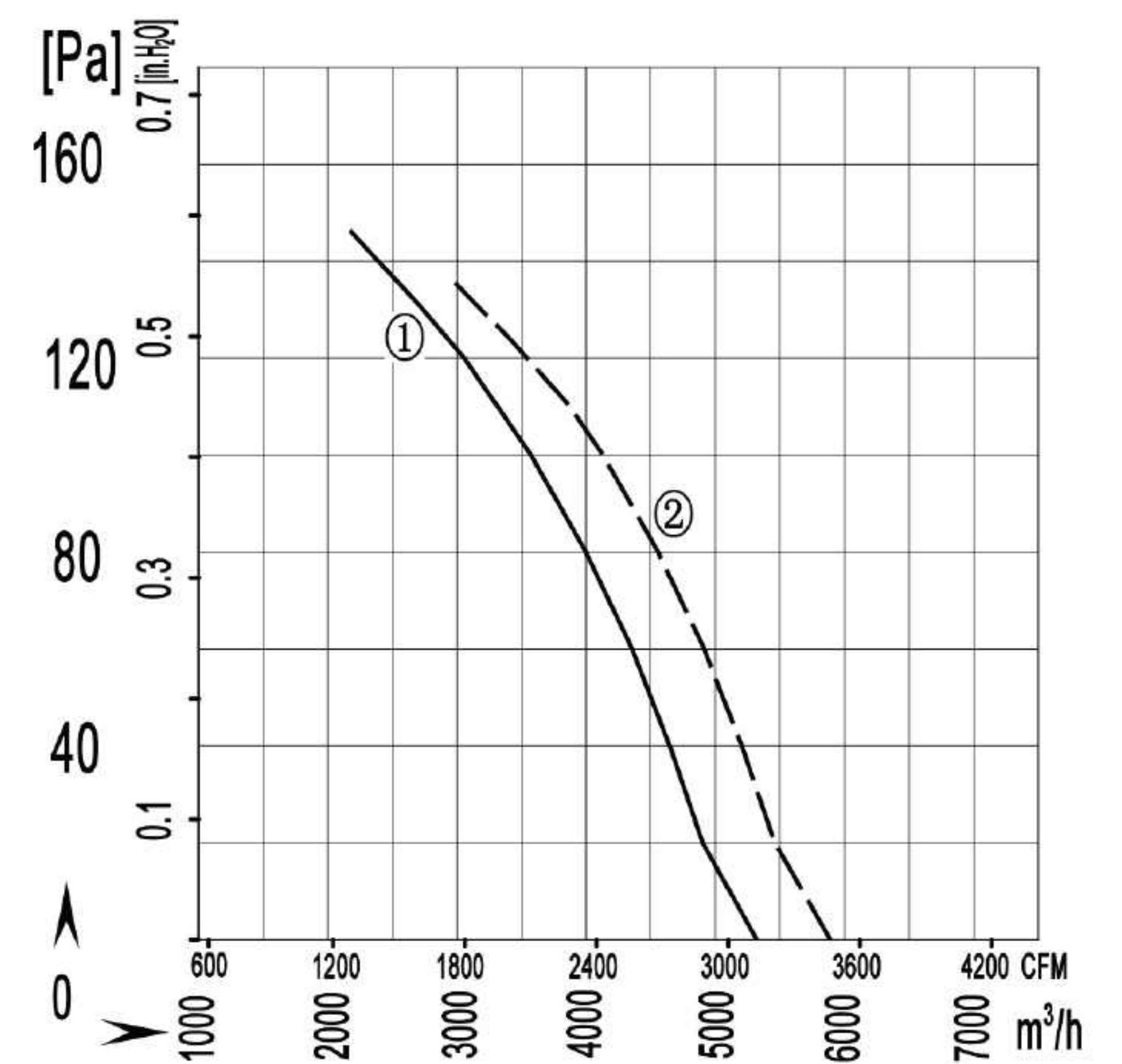


- Material : Cold rolled steel
- Protection Class: IP54
- Approvals: CCC/CE/ETL
- Insulation Class: F

Product Drawing



Flow Rate Curve



Technical Specifications

| Model | Voltage | Frequency | Current | Input Power | Speed | Capacitor | Speed | Noise | Curve |
|-------------------|----------|-----------|---------|-------------|---------|-----------|----------|---------|-------|
| LWAA4E420S-5DM-01 | 220/230V | 50Hz | 1.50A | 300W | 1350RPM | 8μ F | 5300m³/h | 65dB(A) | ① |
| LWAA4E420S-5DM-02 | | 60Hz | 1.80A | 400W | 1580RPM | | 5800m³/h | 68dB(A) | ② |
| LWAA4D420S-5DM-03 | 380/400V | 50Hz | 0.65A | 280W | 1370RPM | / | 5300m³/h | 65dB(A) | ① |
| LWAA4D420S-5DM-04 | | 60Hz | 0.90A | 380W | 1600RPM | | 5800m³/h | 68dB(A) | ② |

AC Axial Fan

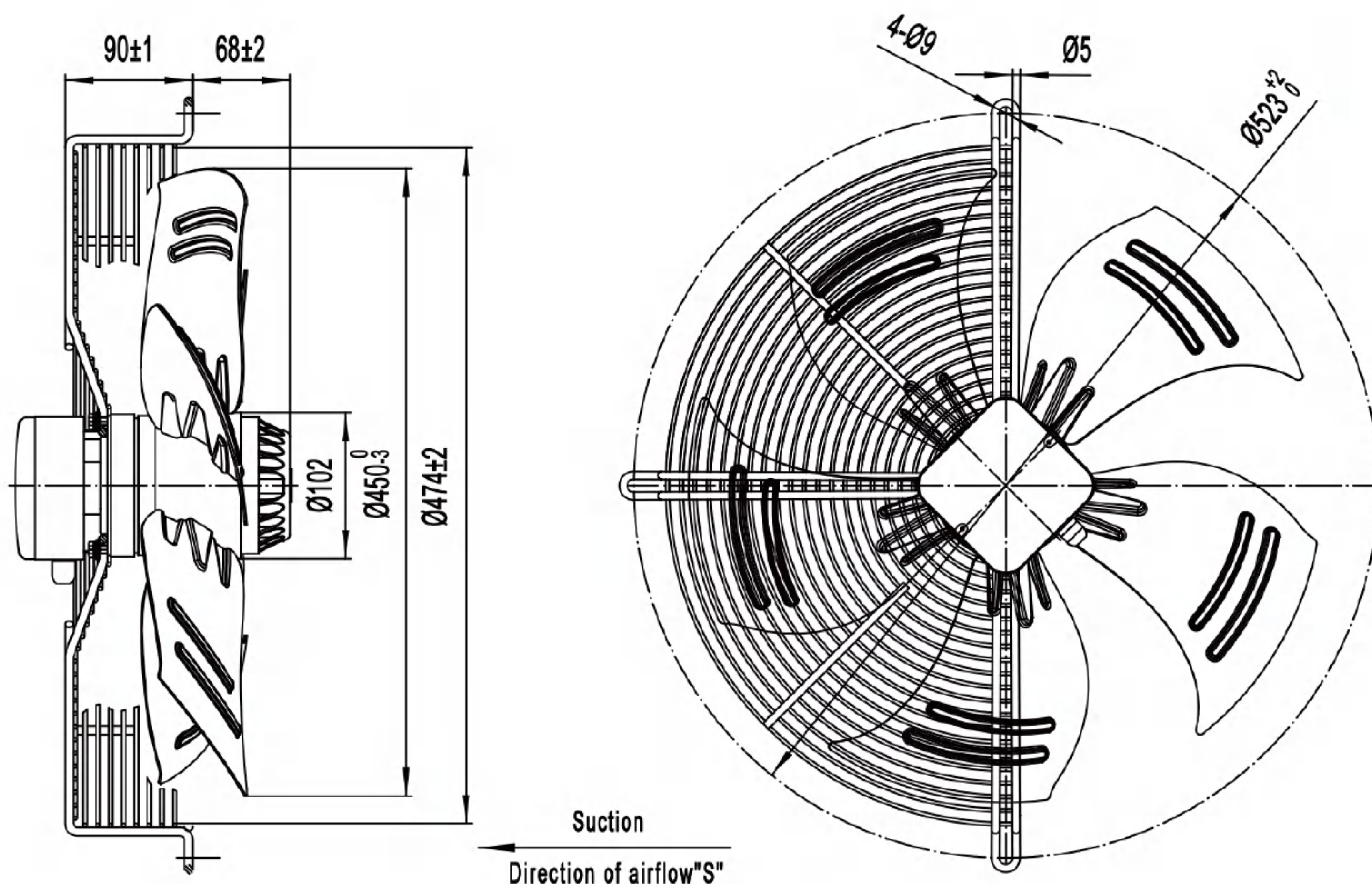
Product Characteristic

450S-5

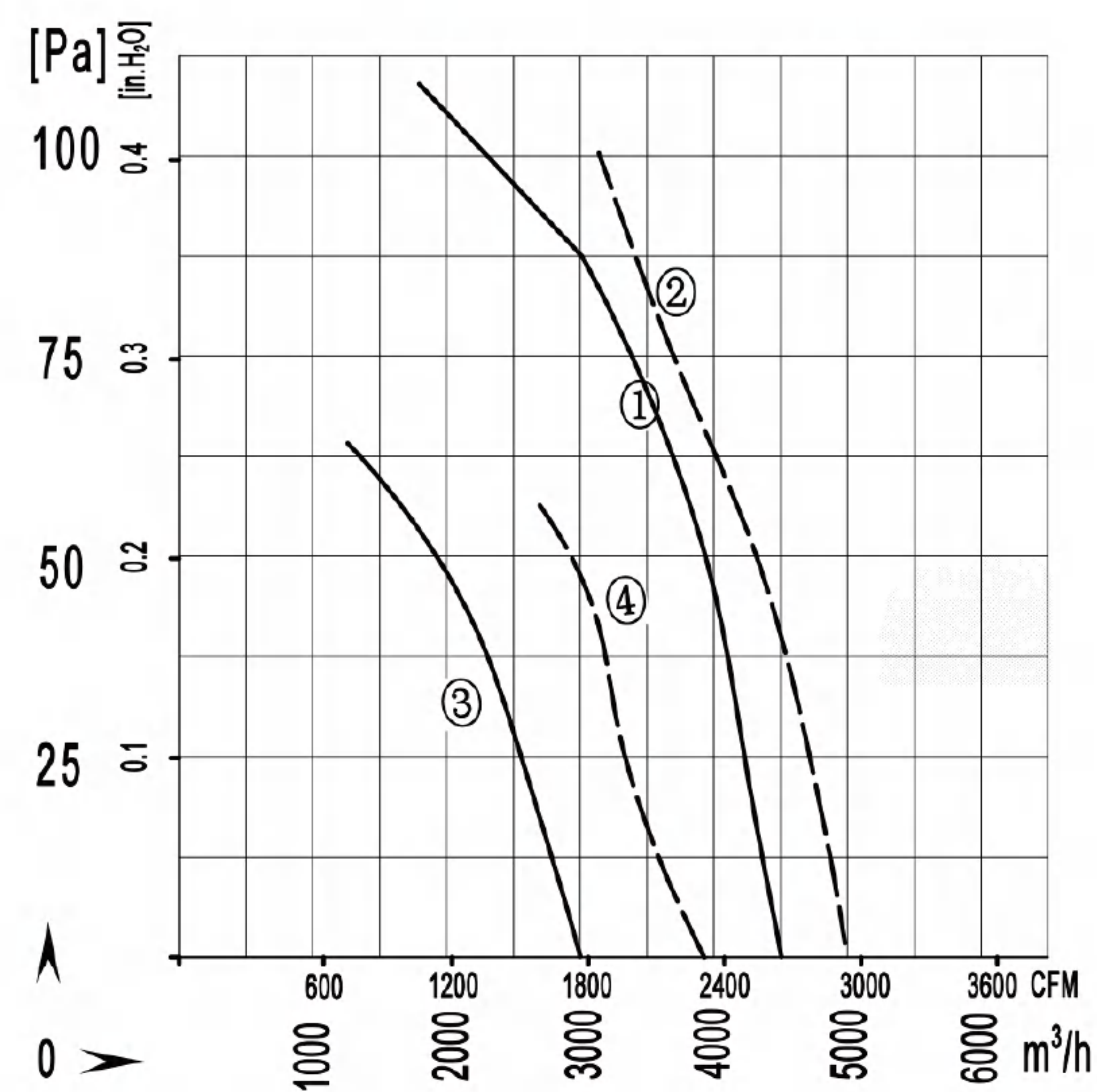


- Material : Cold rolled steel
- Protection Class: IP54
- Approvals: CCC/CE/ETL
- Insulation Class: F

Product Drawing



Flow Rate Curve



Technical Specifications

| Model | Voltage | Frequency | Current | Input Power | Speed | Capacitor | Speed | Noise | Curve |
|-------------------|----------|-----------|---------|-------------|---------|-----------|----------|---------|-------|
| LWAA4E450S-5DM-01 | 220/230V | 50Hz | 1.10A | 250W | 1350RPM | 7μ F | 4500m³/h | 62dB(A) | ① |
| LWAA4E450S-5DM-02 | | 60Hz | 1.20A | 280W | 1600RPM | | 4800m³/h | 64dB(A) | ② |
| LWAA4D450S-5DM-03 | 380/400V | 50Hz | 0.50A | 250W | 1350RPM | / | 4500m³/h | 62dB(A) | ① |
| LWAA4D450S-5DM-04 | | 60Hz | 0.60A | 280W | 1600RPM | | 4800m³/h | 64dB(A) | ② |
| LWAA6E450S-5DM-05 | 220/230V | 50Hz | 0.65A | 135W | 920RPM | 6μ F | 2900m³/h | 56dB(A) | ③ |
| LWAA6E450S-5DM-06 | | 60Hz | 0.75A | 170W | 1100RPM | | 3400m³/h | 58dB(A) | ④ |
| LWAA6D450S-5DM-07 | 380/400V | 50Hz | 0.31A | 135W | 910RPM | / | 2900m³/h | 56dB(A) | ③ |
| LWAA6D450S-5DM-08 | | 60Hz | 0.34A | 140W | 1030RPM | | 3400m³/h | 58dB(A) | ④ |

AC Axial Fan

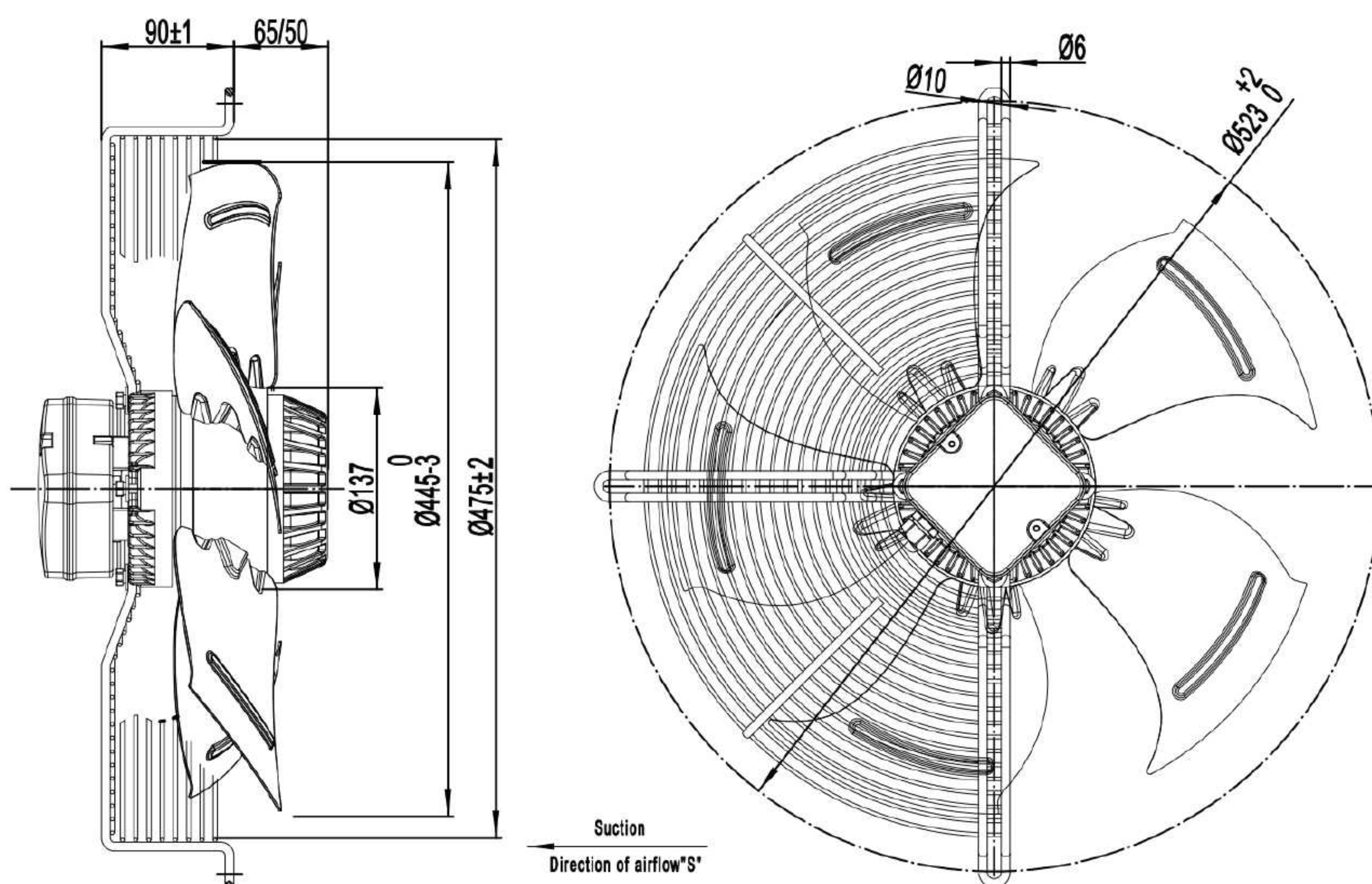
Product Characteristic

450S-5

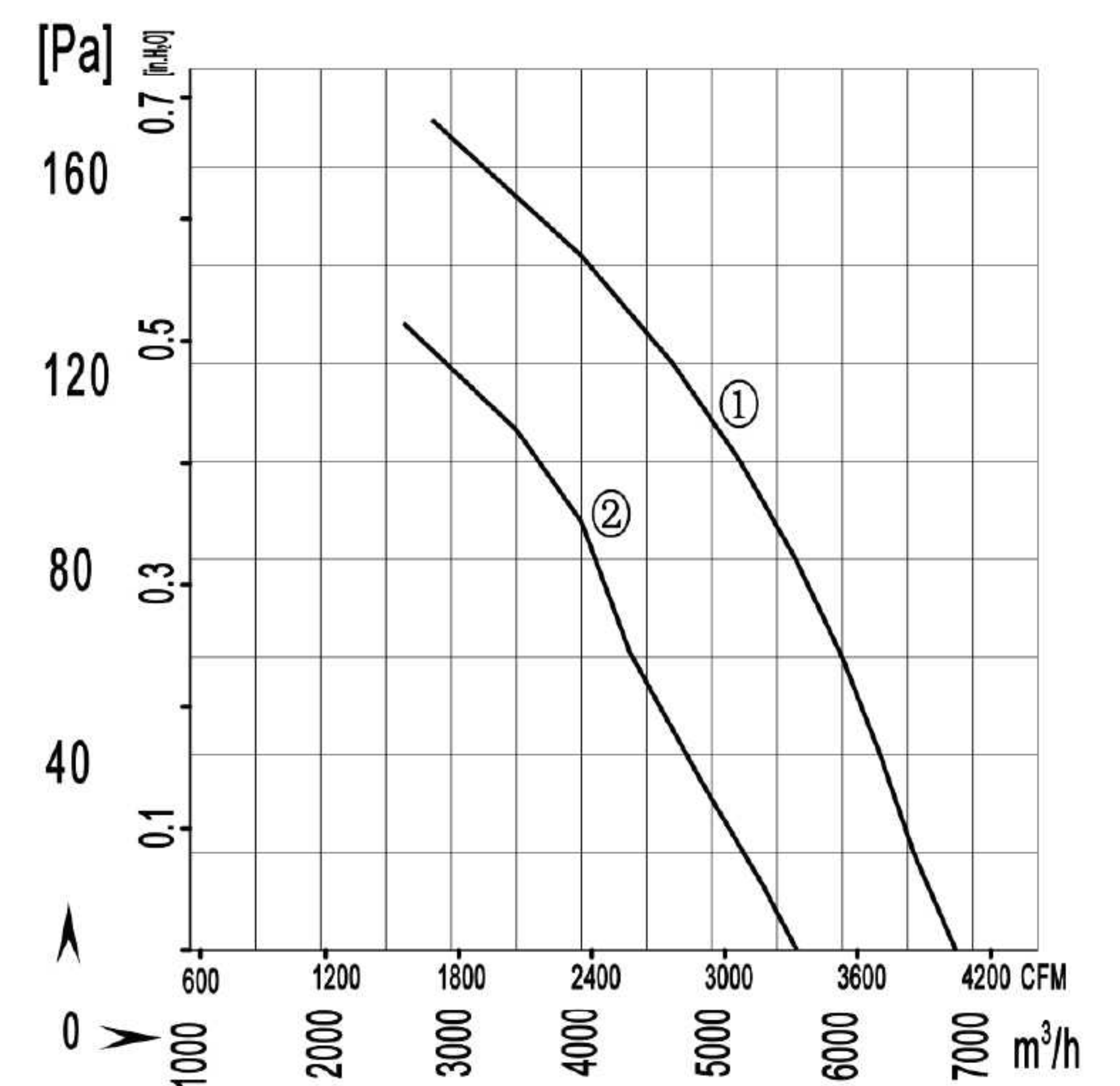


- Material : Cold rolled steel
- Protection Class: IP54
- Approvals: CCC/CE/ETL
- Insulation Class: F

Product Drawing



Flow Rate Curve



Technical Specifications

| Model | Voltage | Frequency | Current | Input Power | Speed | Capacitor | Speed | Noise | Curve |
|-------------------|----------|-----------|---------|-------------|---------|-----------|----------|---------|-------|
| LWAA4E450S-5DM-09 | 220/230V | 50Hz | 2.20A | 480W | 1350RPM | 16μ F | 6800m³/h | 66dB(A) | ① |
| LWAA4D450S-5DM-10 | 380/400V | 50Hz | 1.15A | 480W | 1350RPM | / | 6800m³/h | 66dB(A) | ① |
| LWAA4E450S-5DM-11 | 220/230V | 50Hz | 1.75A | 380W | 1350RPM | 10μ F | 5600m³/h | 64dB(A) | ② |
| LWAA4D450S-5DM-12 | 380/400V | 50Hz | 0.80A | 380W | 1350RPM | / | 5600m³/h | 64dB(A) | ② |

AC Axial Fan

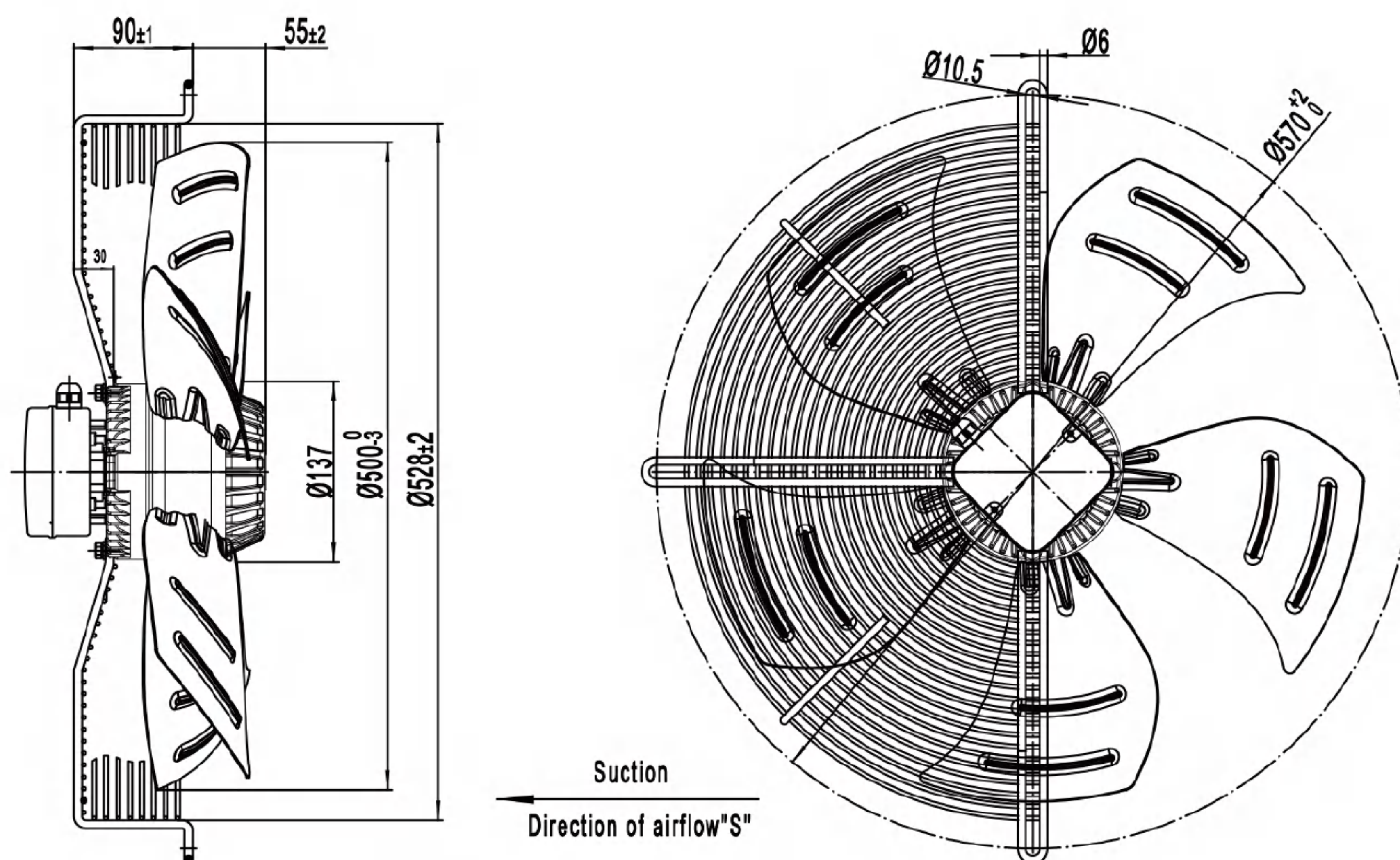
Product Characteristic

500S-5

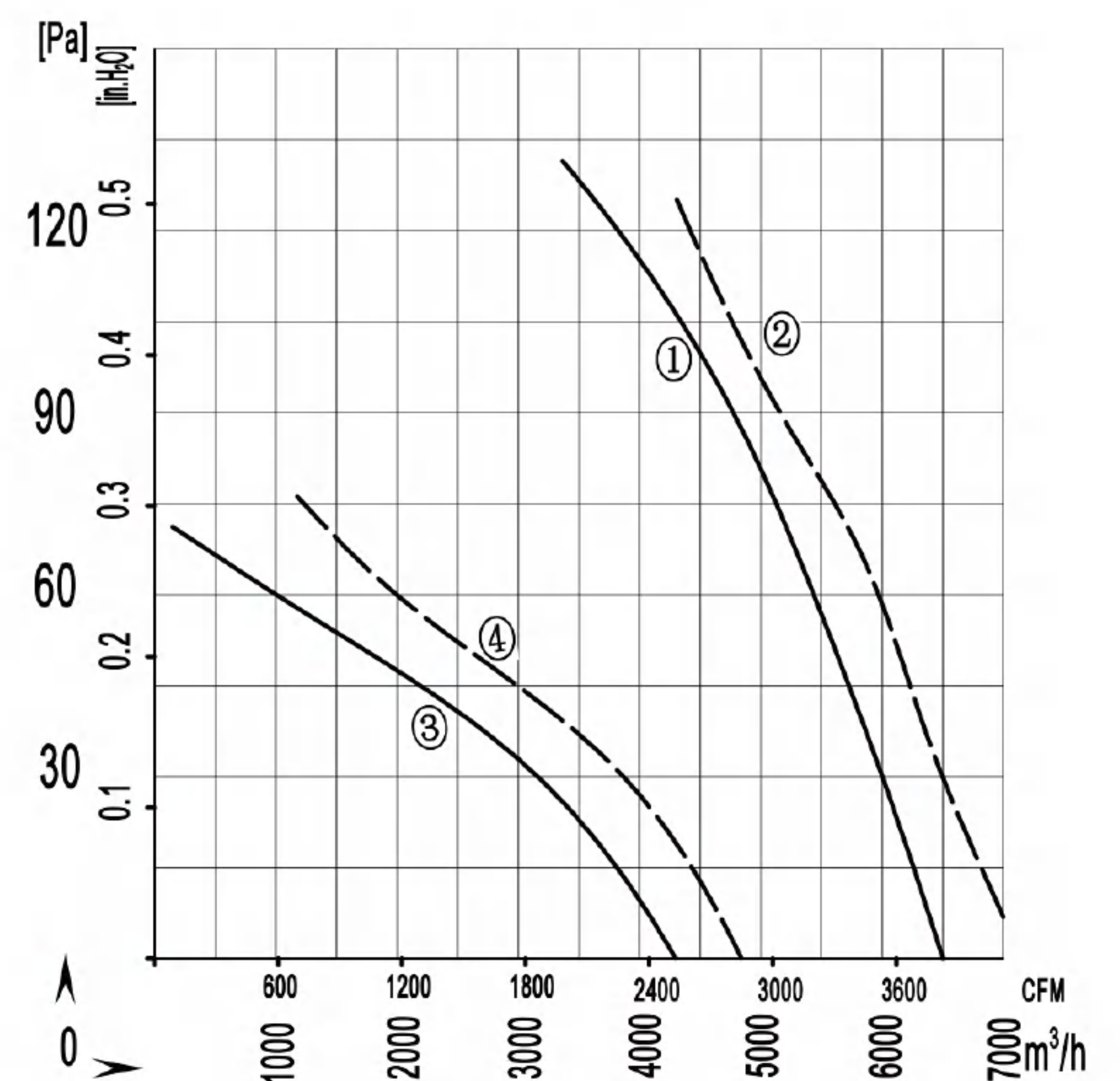


- Material : Cold rolled steel
- Protection Class: IP54
- Approvals: CCC/CE/ETL
- Insulation Class: F

Product Drawing



Flow Rate Curve



Technical Specifications

| Model | Voltage | Frequency | Current | Input Power | Speed | Capacitor | Speed | Noise | Curve |
|-------------------|----------|-----------|---------|-------------|---------|-----------|----------|---------|-------|
| LWAA4E500S-5DM-01 | 220/230V | 50Hz | 1.90A | 420W | 1320RPM | 10μ F | 6500m³/h | 69dB(A) | ① |
| LWAA4E500S-5DM-02 | | 60Hz | 2.30A | 500W | 1450RPM | | 6800m³/h | 70dB(A) | ② |
| LWAA4D500S-5DM-03 | 380/400V | 50Hz | 0.90A | 420W | 1350RPM | / | 6500m³/h | 69dB(A) | ① |
| LWAA4D500S-5DM-04 | | 60Hz | 1.00A | 500W | 1500RPM | | 6800m³/h | 70dB(A) | ② |
| LWAA6E500S-5DM-05 | 220/230V | 50Hz | 1.10A | 220W | 900RPM | 6μ F | 4320m³/h | 65dB(A) | ③ |
| LWAA6E500S-5DM-06 | | 60Hz | 1.35A | 250W | 1020RPM | | 4800m³/h | 66dB(A) | ④ |
| LWAA6D500S-5DM-07 | 380/400V | 50Hz | 0.60A | 220W | 900RPM | / | 4320m³/h | 65dB(A) | ③ |
| LWAA6D500S-5DM-08 | | 60Hz | 0.65A | 250W | 1100RPM | | 4800m³/h | 66dB(A) | ④ |

AC Axial Fan

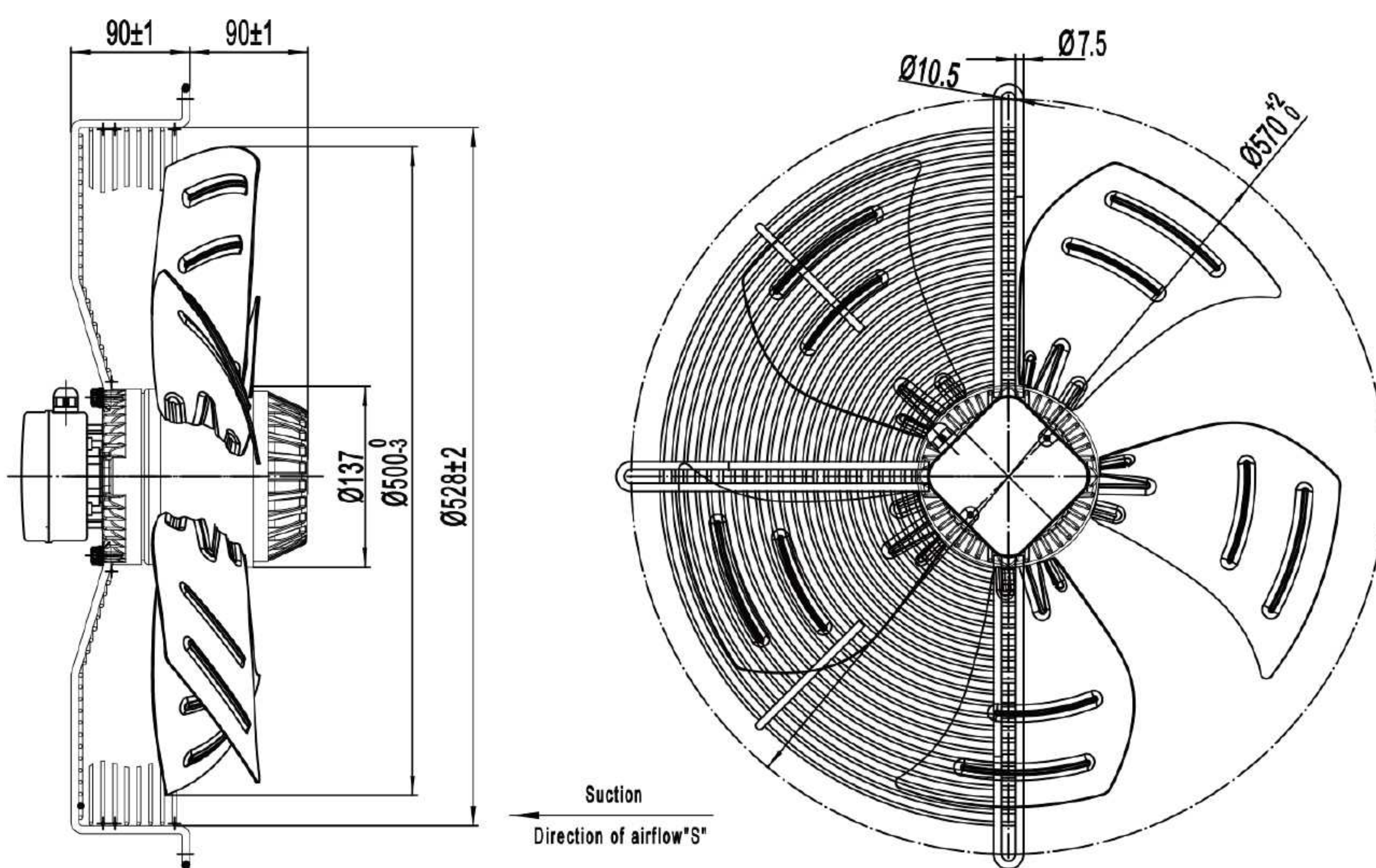
Product Characteristic

500S-5

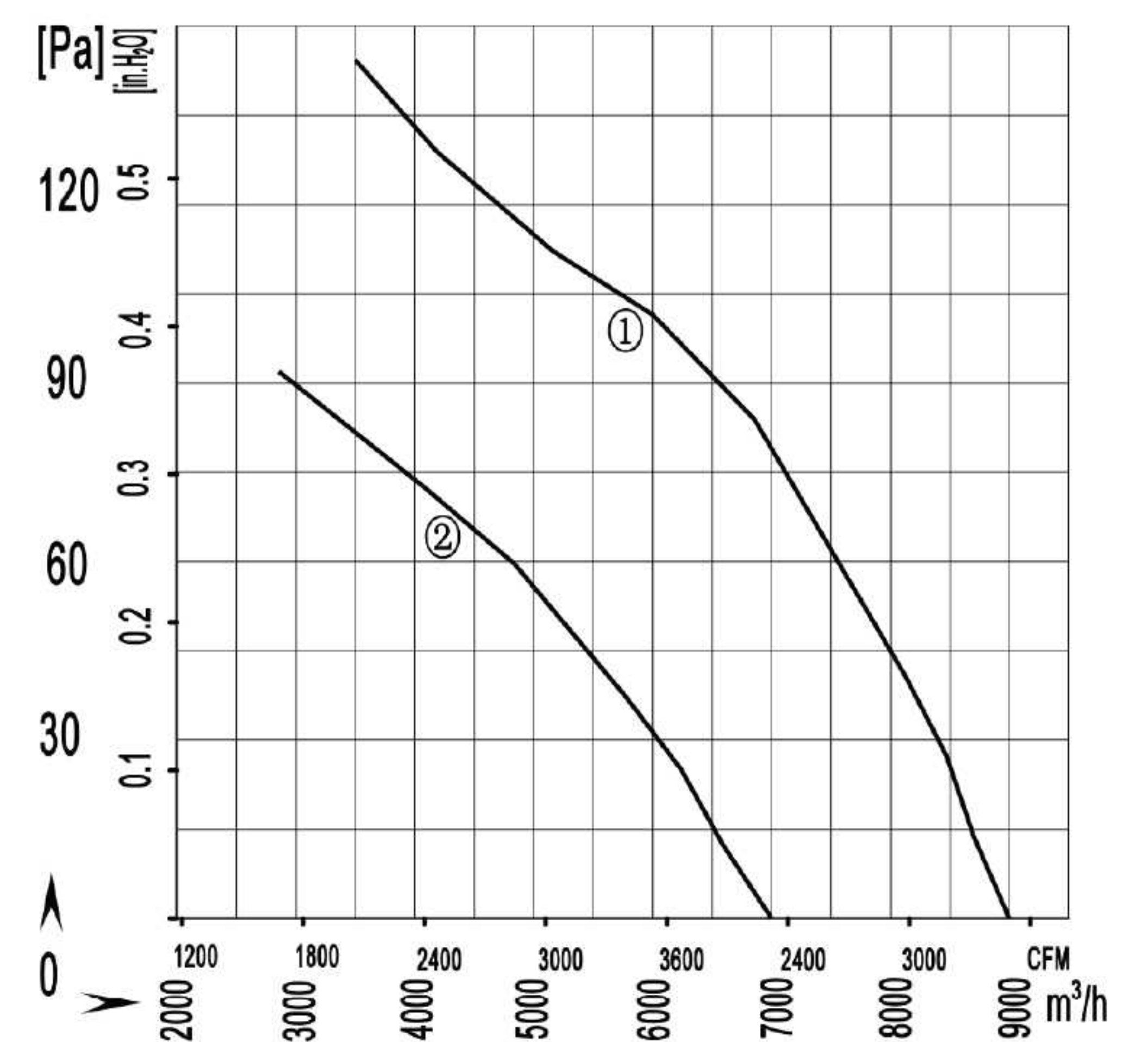


- Material : Cold rolled steel
- Protection Class: IP54
- Approvals: CCC/CE/ETL
- Insulation Class: F

Product Drawing



Flow Rate Curve



Technical Specifications

| Model | Voltage | Frequency | Current | Input Power | Speed | Capacitor | Speed | Noise | Curve |
|-------------------|----------|-----------|---------|-------------|---------|-----------|----------|---------|-------|
| LWAA4E500S-5DM-09 | 220/230V | 50Hz | 3.80A | 800W | 1320RPM | 16μ F | 9000m³/h | 80dB(A) | ① |
| LWAA4D500S-5DM-10 | 380/400V | 50Hz | 1.50A | 750W | 1350RPM | / | 9000m³/h | 80dB(A) | ① |
| LWAA4D500S-5DM-11 | | 50Hz | 0.90A | 500W | 1000RPM | | 7000m³/h | 70dB(A) | ② |

AC Axial Fan

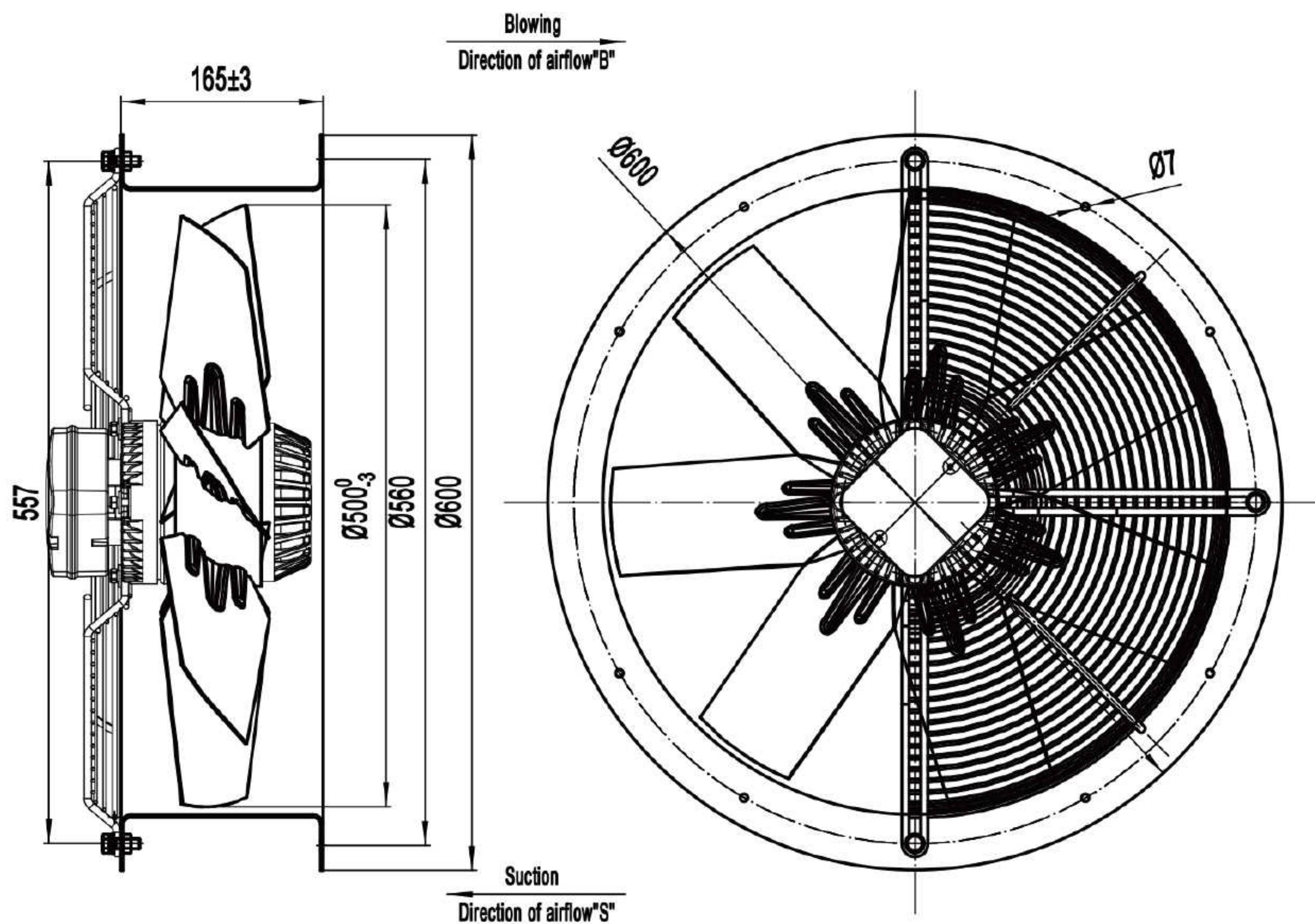
Product Characteristic

500S-7

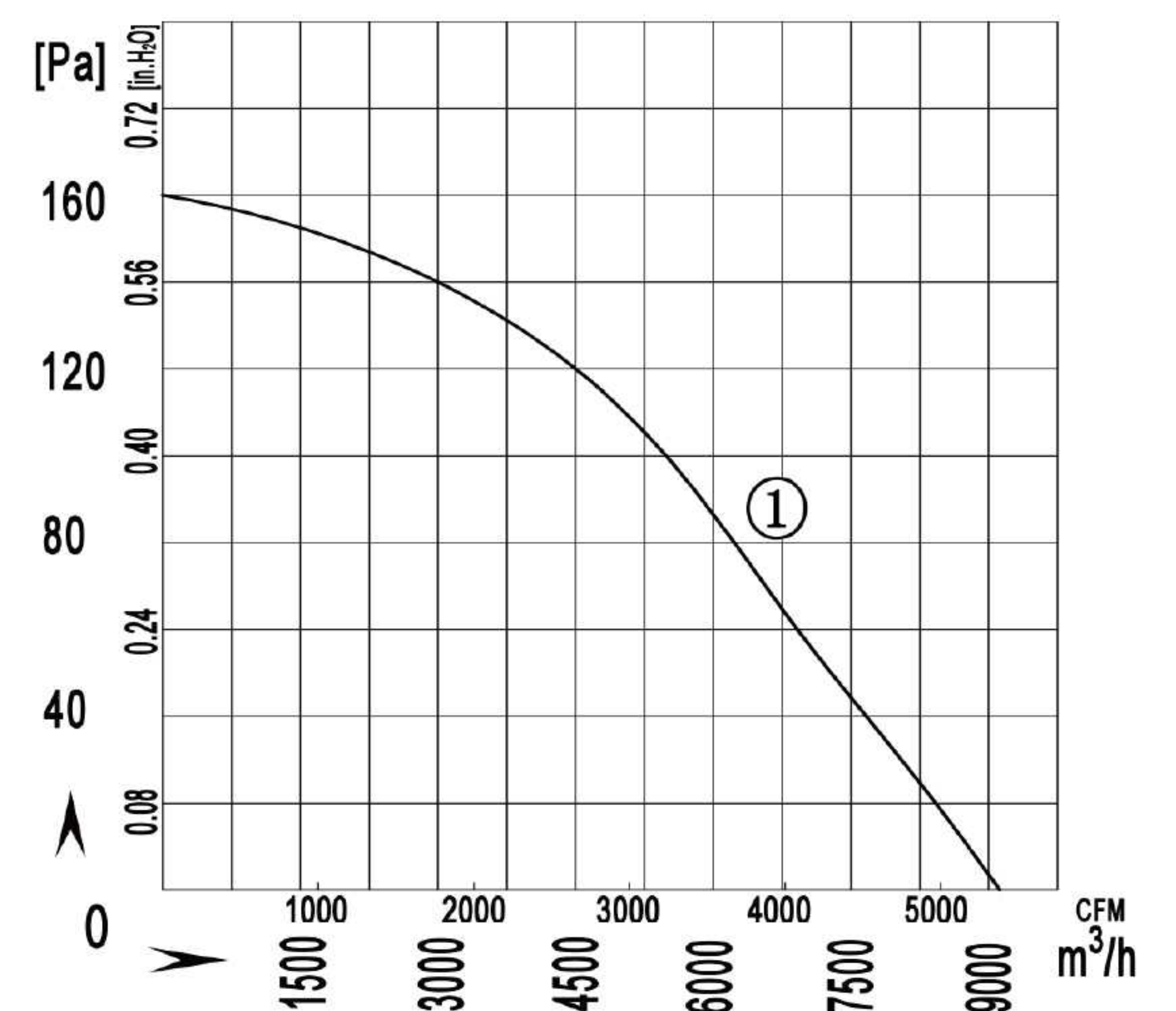


- Material : Cold rolled steel
- Protection Class: IP54
- Approvals: CCC/CE/ETL
- Insulation Class: F

Product Drawing



Flow Rate Curve



Technical Specifications

| Model | Voltage | Frequency | Current | Input Power | Speed | Capacitor | Speed | Noise | Curve |
|-------------------|----------|-----------|---------|-------------|---------|-----------|----------|---------|-------|
| LWAA4D500S-7EM-12 | 380/400V | 50Hz | 1.65A | 800W | 1350RPM | / | 9000m³/h | 80dB(A) | ① |

AC Axial Fan

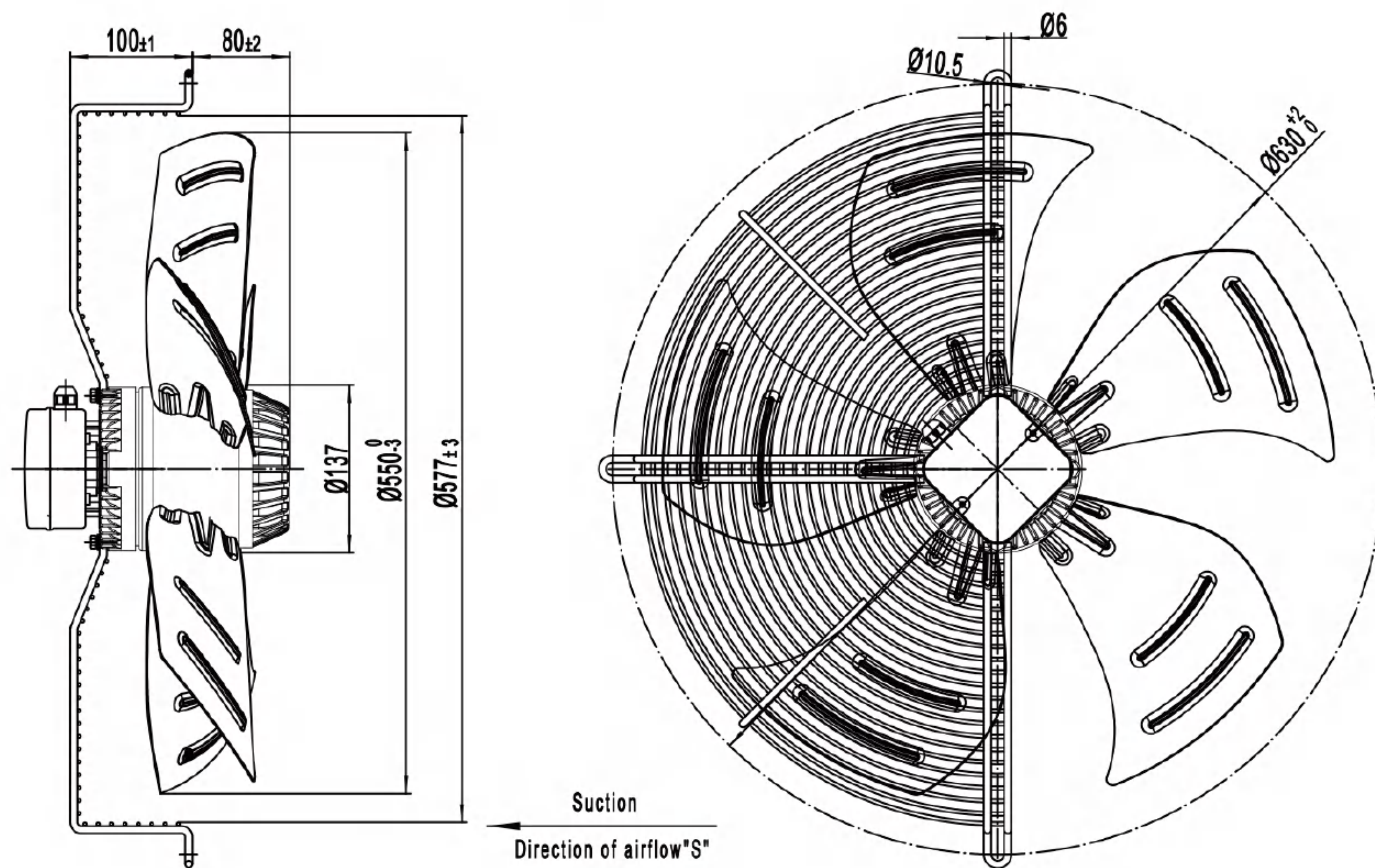
Product Characteristic

550S-5

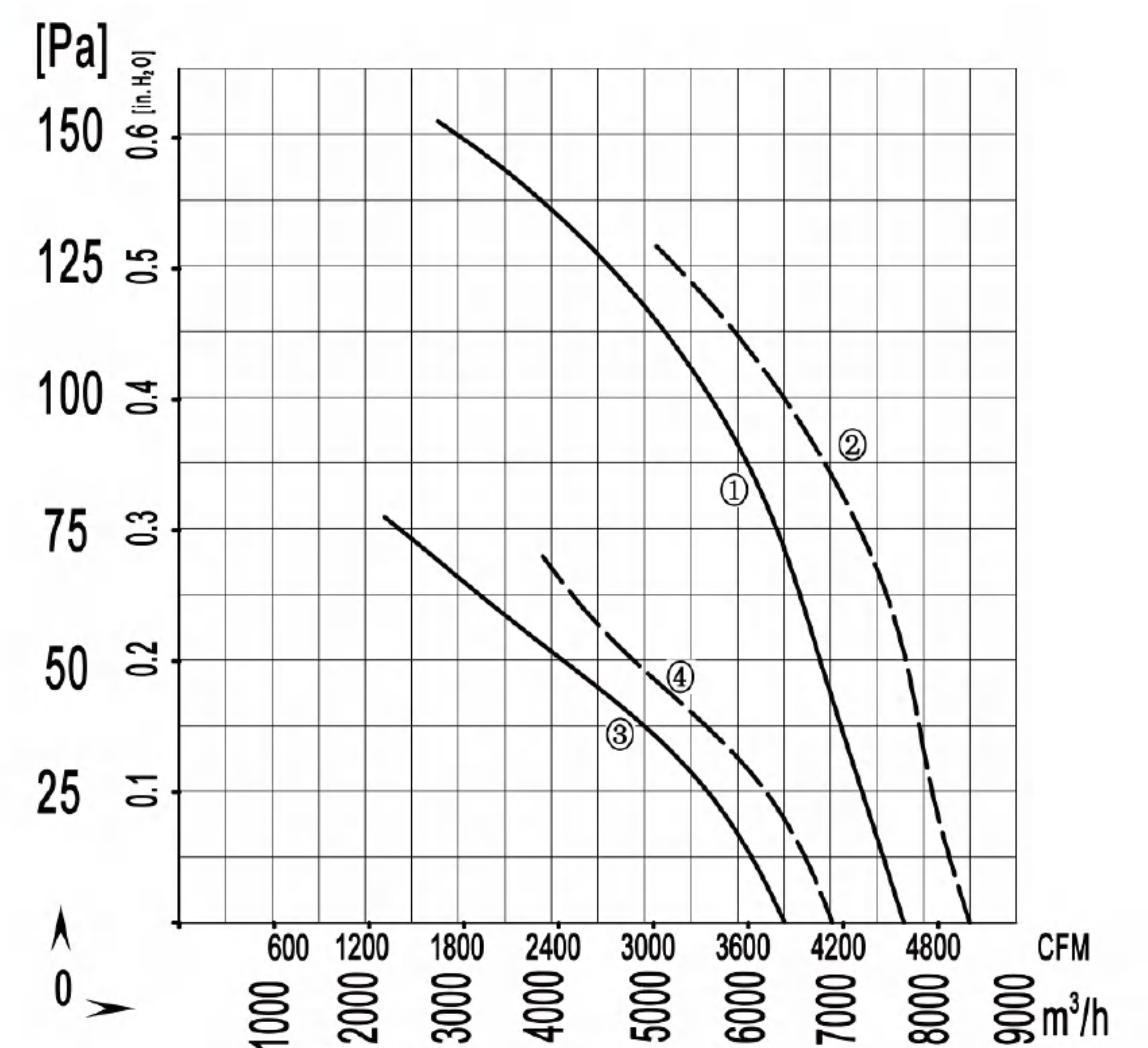


- Material : Cold rolled steel
- Protection Class: IP54
- Approvals: CCC/CE/ETL
- Insulation Class: F

Product Drawing



Flow Rate Curve



Technical Specifications

| Model | Voltage | Frequency | Current | Input Power | Speed | Capacitor | Speed | Noise | Curve |
|-------------------|----------|-----------|---------|-------------|---------|-----------|----------|---------|-------|
| LWAA4E550S-5DM-01 | 220/230V | 50Hz | 2.50A | 550W | 1320RPM | 12μ F | 7800m³/h | 73dB(A) | ① |
| LWAA4E550S-5DM-02 | | 60Hz | 3.30A | 725W | 1450RPM | | 8500m³/h | 74dB(A) | ② |
| LWAA4D550S-5DM-03 | 380/400V | 50Hz | 1.10A | 550W | 1330RPM | / | 7800m³/h | 73dB(A) | ① |
| LWAA4D550S-5DM-04 | | 60Hz | 1.40A | 725W | 1540RPM | | 8500m³/h | 74dB(A) | ② |
| LWAA6E550S-5DM-05 | 220/230V | 50Hz | 1.20A | 320W | 900RPM | 10μ F | 6500m³/h | 62dB(A) | ③ |
| LWAA6E550S-5DM-06 | | 60Hz | 2.15A | 465W | 1060RPM | | 7000m³/h | 66dB(A) | ④ |
| LWAA6D550S-5DM-07 | 380/400V | 50Hz | 0.95A | 320W | 910RPM | / | 6500m³/h | 62dB(A) | ③ |
| LWAA6D550S-5DM-08 | | 60Hz | 1.00A | 440W | 1090RPM | | 7000m³/h | 66dB(A) | ④ |

AC Axial Fan

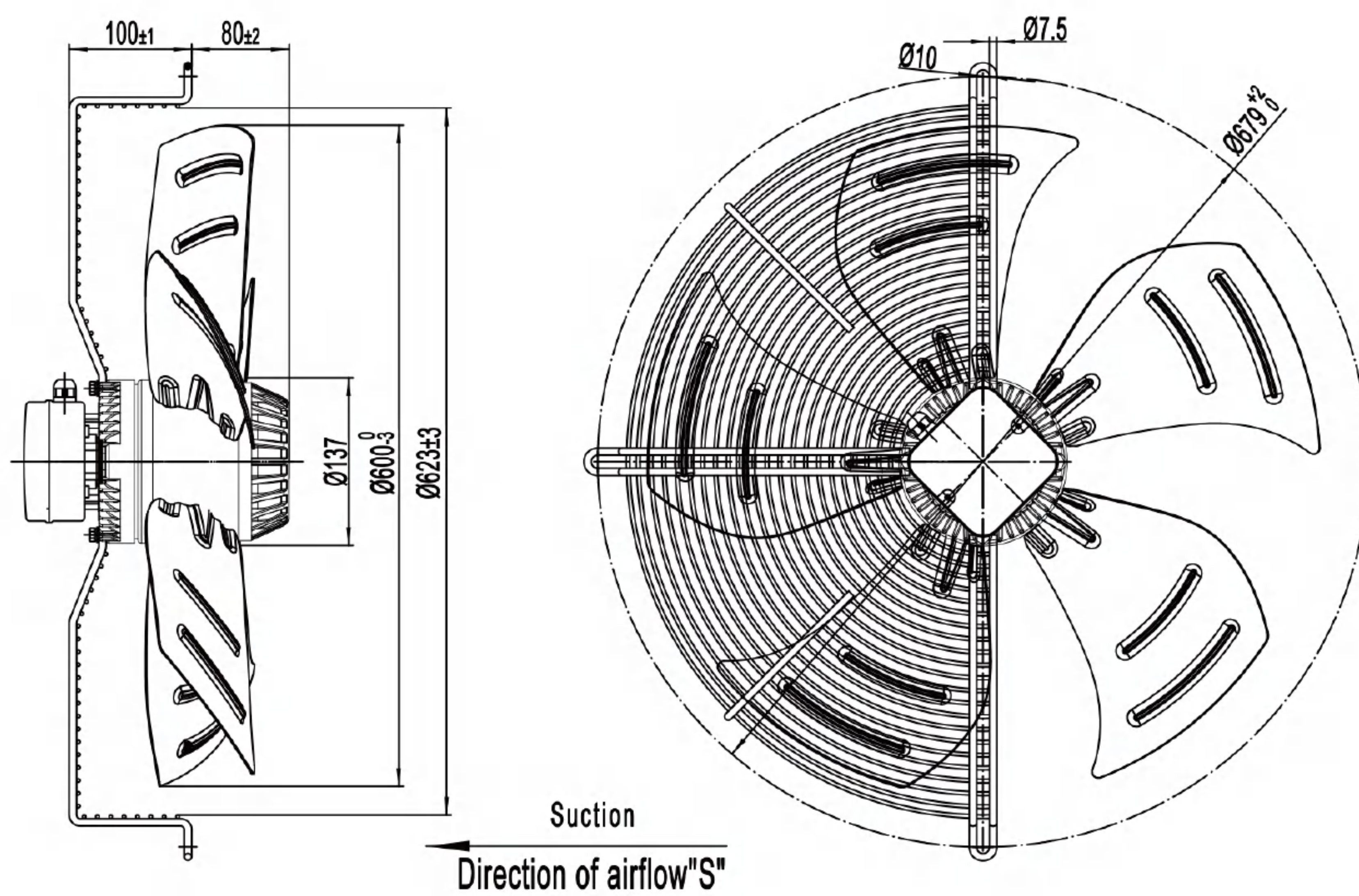
Product Characteristic

600S-5

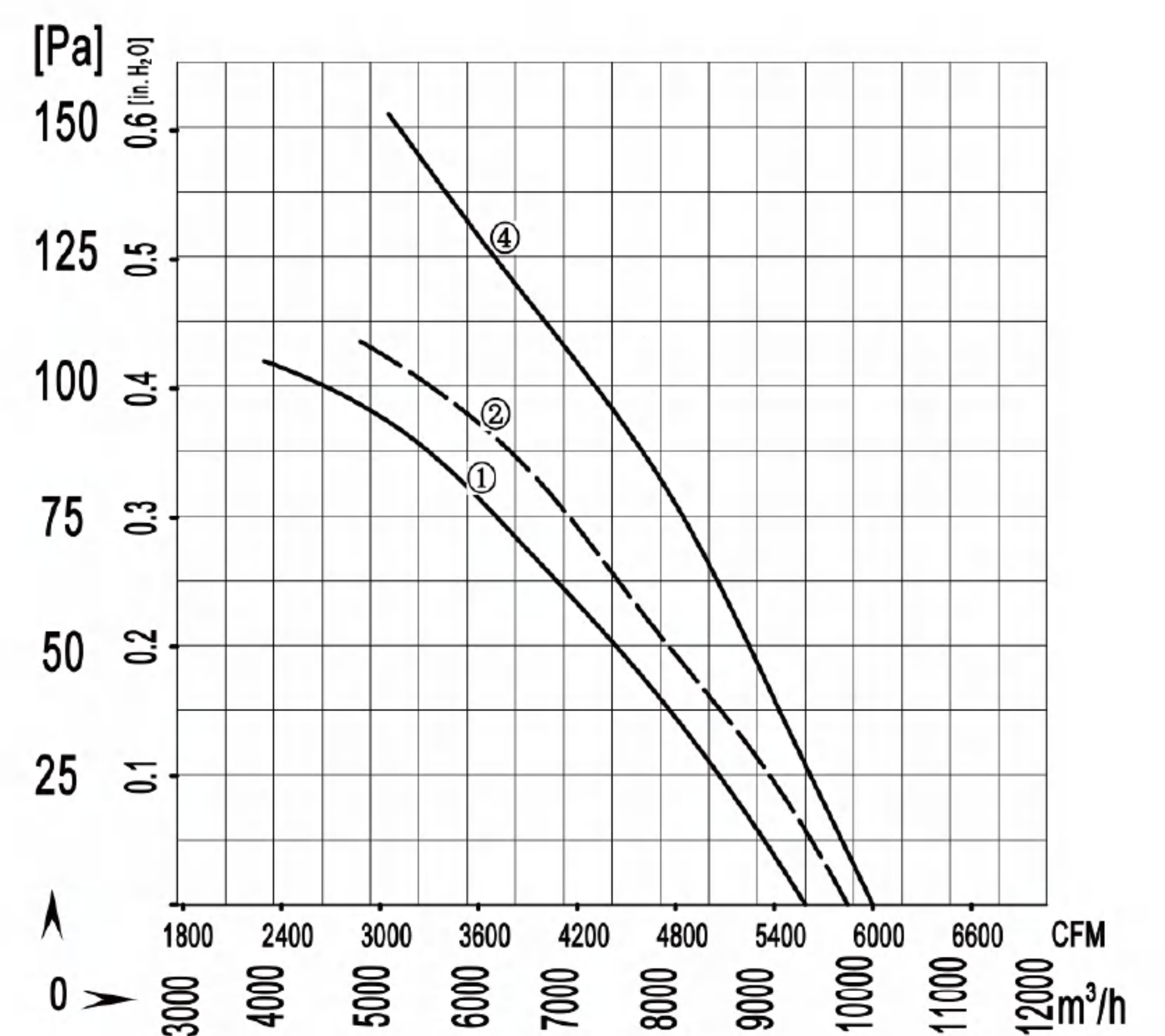


- Material : Cold rolled steel
- Protection Class: IP54
- Approvals: CCC/CE/ETL
- Insulation Class: F

Product Drawing



Flow Rate Curve



Technical Specifications

| Model | Voltage | Frequency | Current | Input Power | Speed | Capacitor | Speed | Noise | Curve |
|-------------------|----------|-----------|---------|-------------|---------|-----------|-----------|---------|-------|
| LWAA4D600S-5DM-01 | 380/400V | 50Hz | 1.50A | 800W | 1350RPM | / | 10200m³/h | 73dB(A) | ④ |
| LWAA6E600S-5DM-02 | 220/230V | 50Hz | 2.40A | 500W | 910RPM | 12μ F | 9500m³/h | 67dB(A) | ① |
| LWAA6E600S-5DM-03 | | 60Hz | 2.90A | 640W | 1080RPM | | 9900m³/h | 69dB(A) | ② |
| LWAA6D600S-5DM-04 | 380/400V | 50Hz | 1.50A | 500W | 920RPM | / | 9500m³/h | 67dB(A) | ① |
| LWAA6D600S-5DM-05 | | 60Hz | 1.50A | 650W | 1070RPM | | 9900m³/h | 69dB(A) | ② |

AC Axial Fan

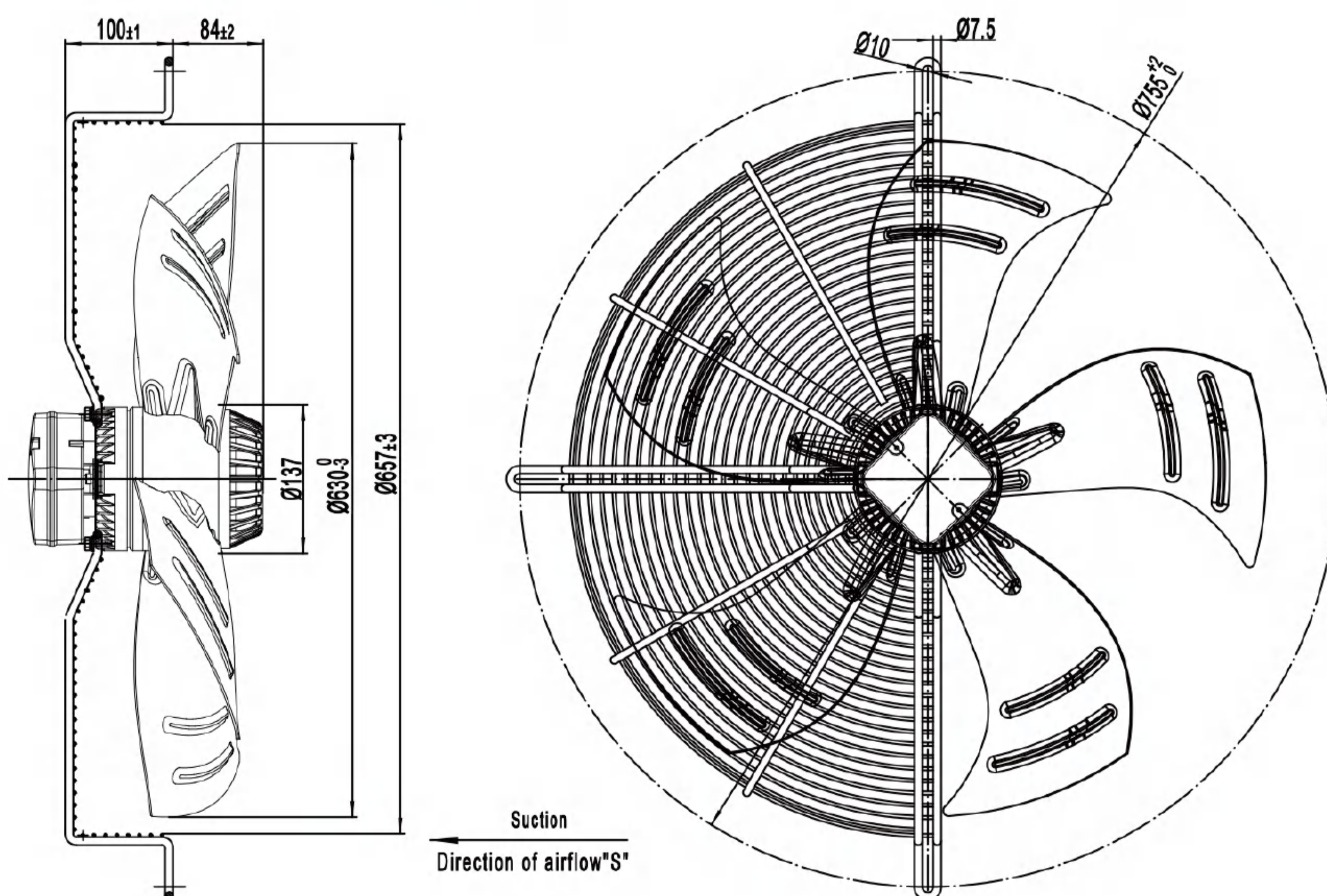
Product Characteristic

630S-5

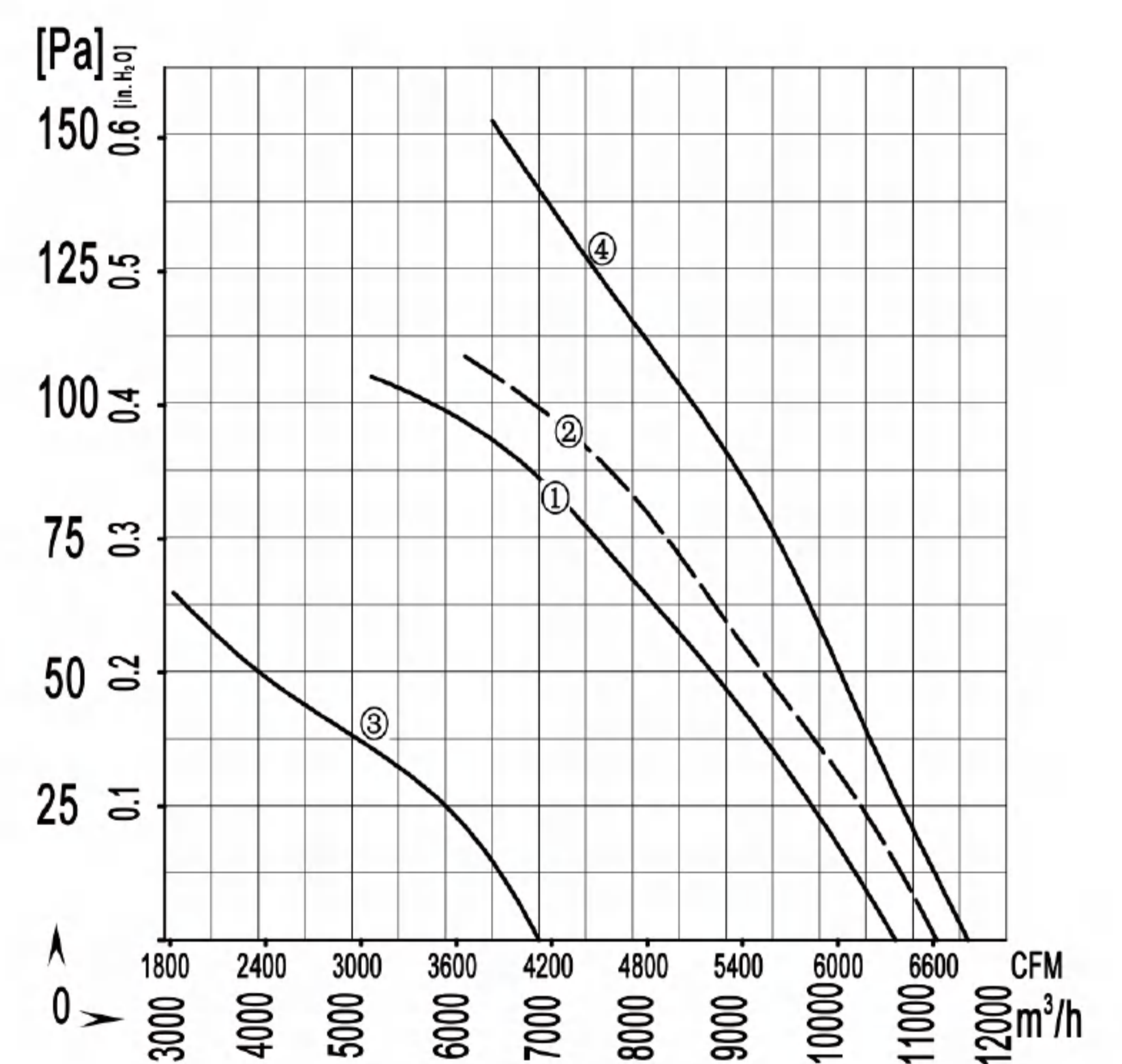


- Material : Cold rolled steel
- Protection Class: IP54
- Approvals: CCC/CE/ETL
- Insulation Class: F

Product Drawing



Flow Rate Curve



Technical Specifications

| Model | Voltage | Frequency | Current | Input Power | Speed | Capacitor | Speed | Noise | Curve |
|-------------------|----------|-----------|---------|-------------|---------|-----------|-----------|---------|-------|
| LWAA4D630S-5DM-01 | 380/400V | 50Hz | 1.60A | 800W | 1350RPM | / | 11600m³/h | 75dB(A) | ④ |
| LWAA6E630S-5DM-02 | 220/230V | 50Hz | 2.50A | 520W | 900RPM | 12µ F | 10700m³/h | 67dB(A) | ① |
| LWAA6E630S-5DM-03 | | 60Hz | 3.25A | 705W | 1050RPM | | 11200m³/h | 69dB(A) | |
| LWAA6D630S-5DM-04 | 380/400V | 50Hz | 1.40A | 520W | 900RPM | / | 10700m³/h | 67dB(A) | ① |
| LWAA6D630S-5DM-05 | | 60Hz | 1.56A | 740W | 1060RPM | | 11200m³/h | 69dB(A) | |
| LWAA8E630S-5DM-06 | 220/230V | 50Hz | 1.3A | 250W | 680RPM | 6µ F | 7000m³/h | 60dB(A) | ③ |
| LWAA8D630S-5DM-07 | 380/400V | 50Hz | 0.7A | 250W | 680RPM | / | 7000m³/h | 60dB(A) | |

AC Axial Fan

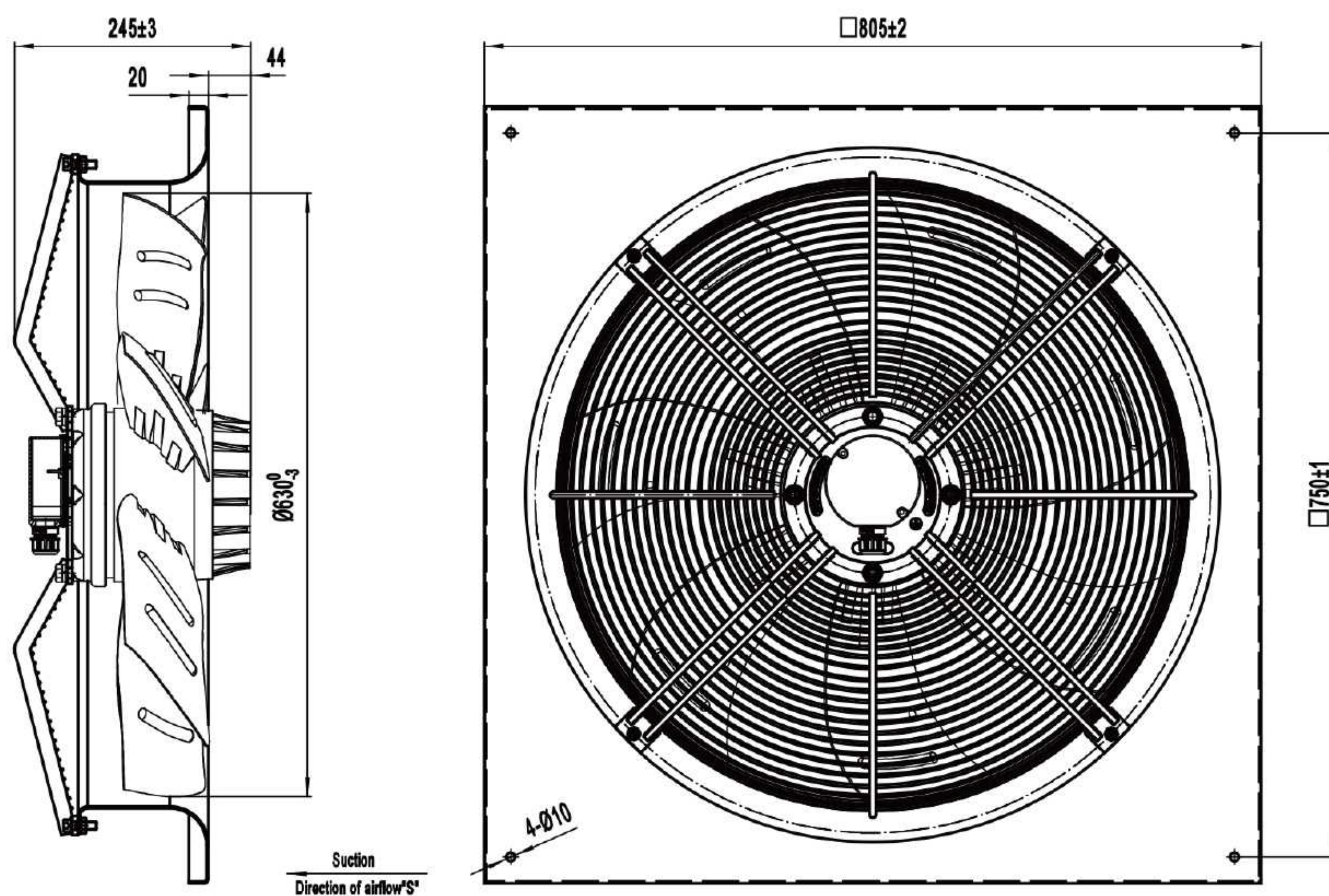
Product Characteristic

630S-7

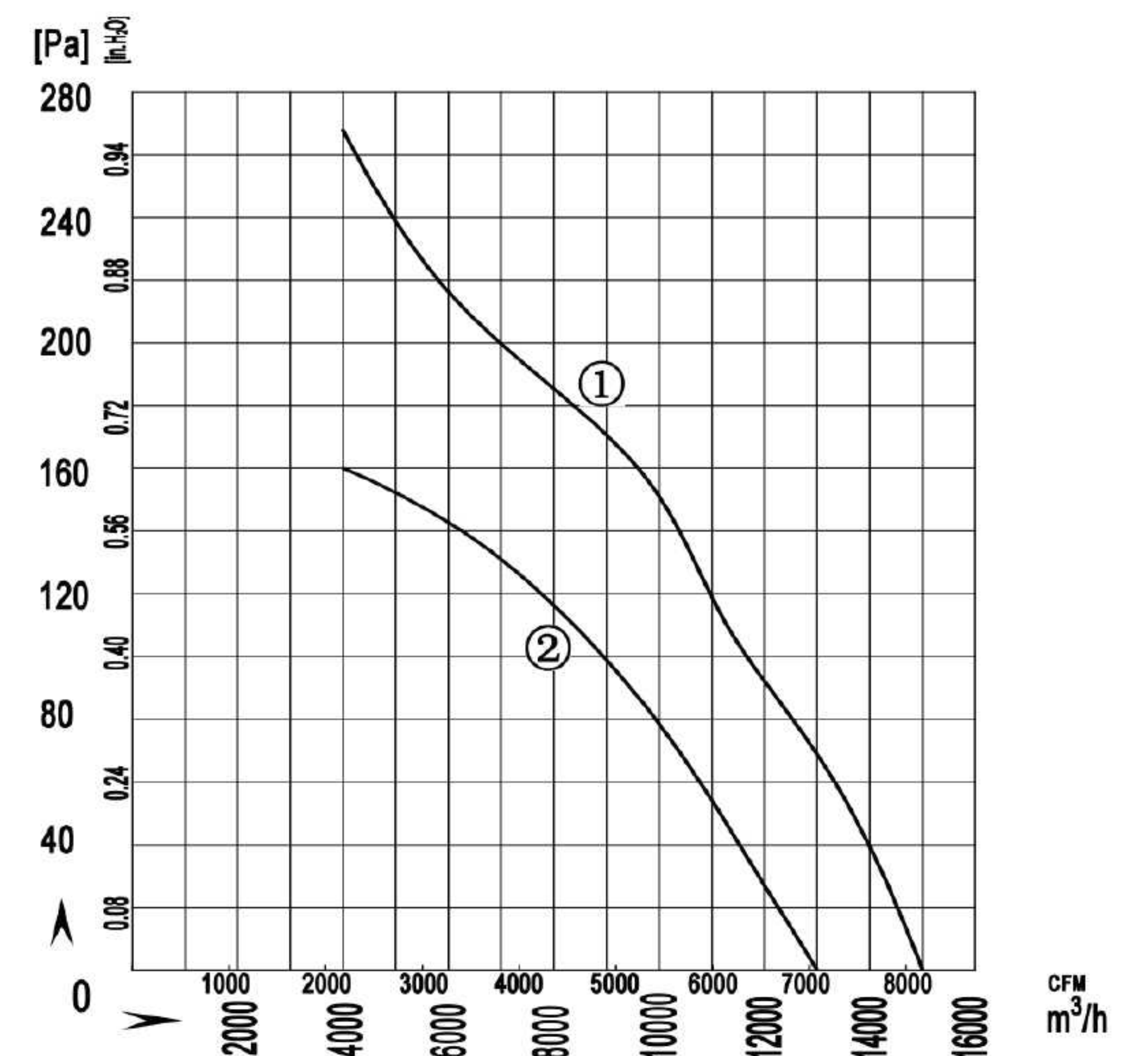
- Material : Cold rolled steel
- Protection Class: IP54
- Approvals: CCC/CE/ETL
- Insulation Class: F



Product Drawing



Flow Rate Curve



Technical Specifications

| Model | Voltage | Frequency | Current | Input Power | Speed | Capacitor | Speed | Noise | Curve |
|-------------------|----------|-----------|---------|-------------|---------|-----------|-----------|---------|-------|
| LWAA4D630S-7FM-08 | 380/400V | 50Hz | 3.00A | 1550W | 1400RPM | / | 15000m³/h | 76dB(A) | ① |
| LWAA4D630S-7FM-09 | | 50Hz | 2.00A | 1250W | 1150RPM | | 13000m³/h | 74dB(A) | ② |

AC Axial Fan

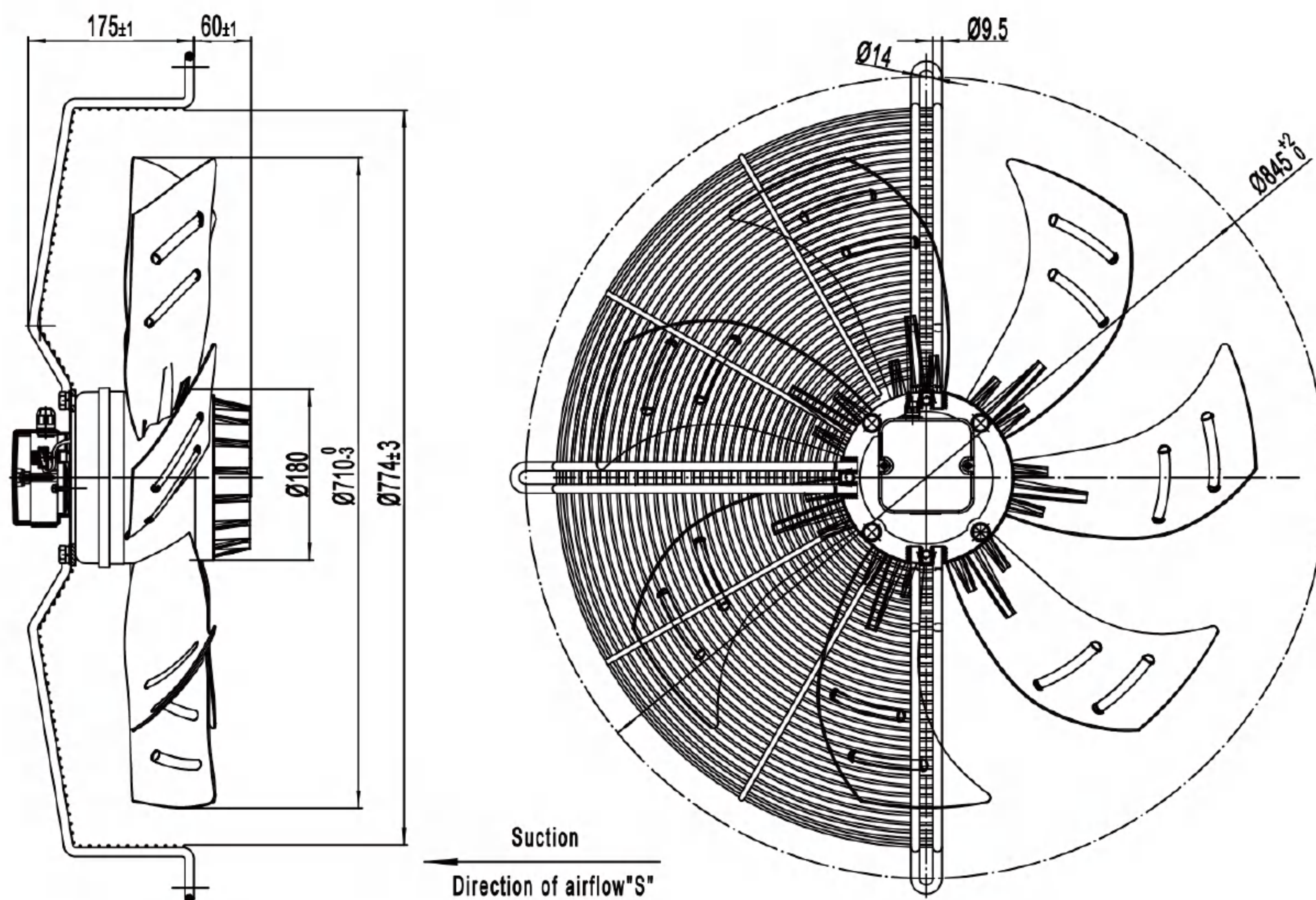
Product Characteristic

710S-7

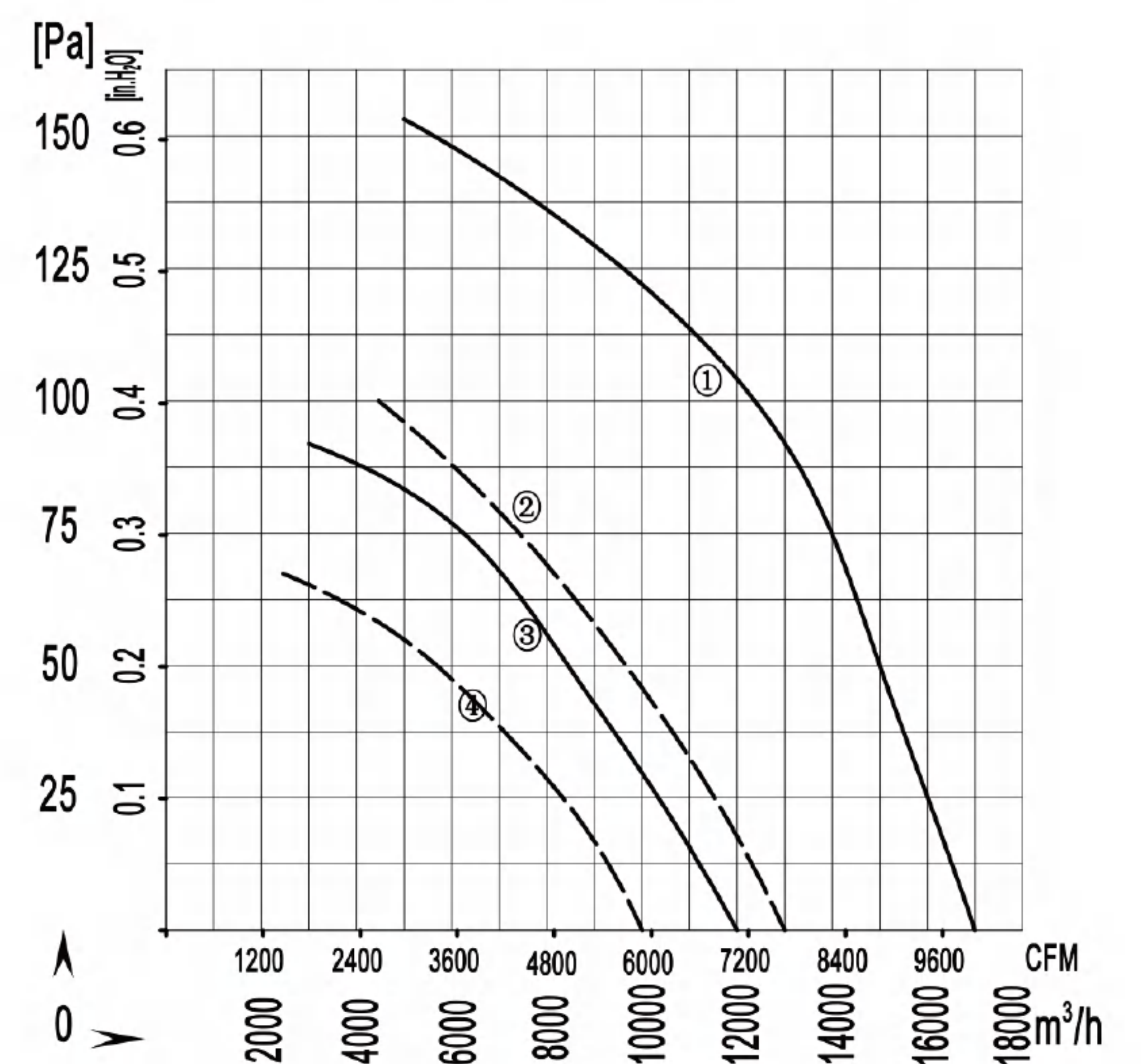


- Material : Cold rolled steel
- Protection Class: IP54
- Approvals: CCC/CE/ETL
- Insulation Class: F

Product Drawing



Flow Rate Curve



Technical Specifications

| Model | Voltage | Frequency | Current | Input Power | Speed | Capacitor | Speed | Noise | Curve |
|-------------------|----------|-----------|---------|-------------|--------|-----------|-----------|---------|-------|
| LWAA6D710S-7DM-01 | 380/400V | 50Hz | 2.00A | 1100W | 900RPM | / | 17000m³/h | 75dB(A) | ① |
| LWAA6D710S-7DM-02 | | 50Hz | 1.40A | 750W | 600RPM | | 12500m³/h | 68dB(A) | ② |
| LWAA8D710S-7DM-03 | 380/400V | 50Hz | 1.50A | 700W | 700RPM | / | 12000m³/h | 67dB(A) | ③ |
| LWAA8D710S-7DM-04 | | 50Hz | 0.90A | 450W | 600RPM | | 10000m³/h | 65dB(A) | ④ |

AC Axial Fan

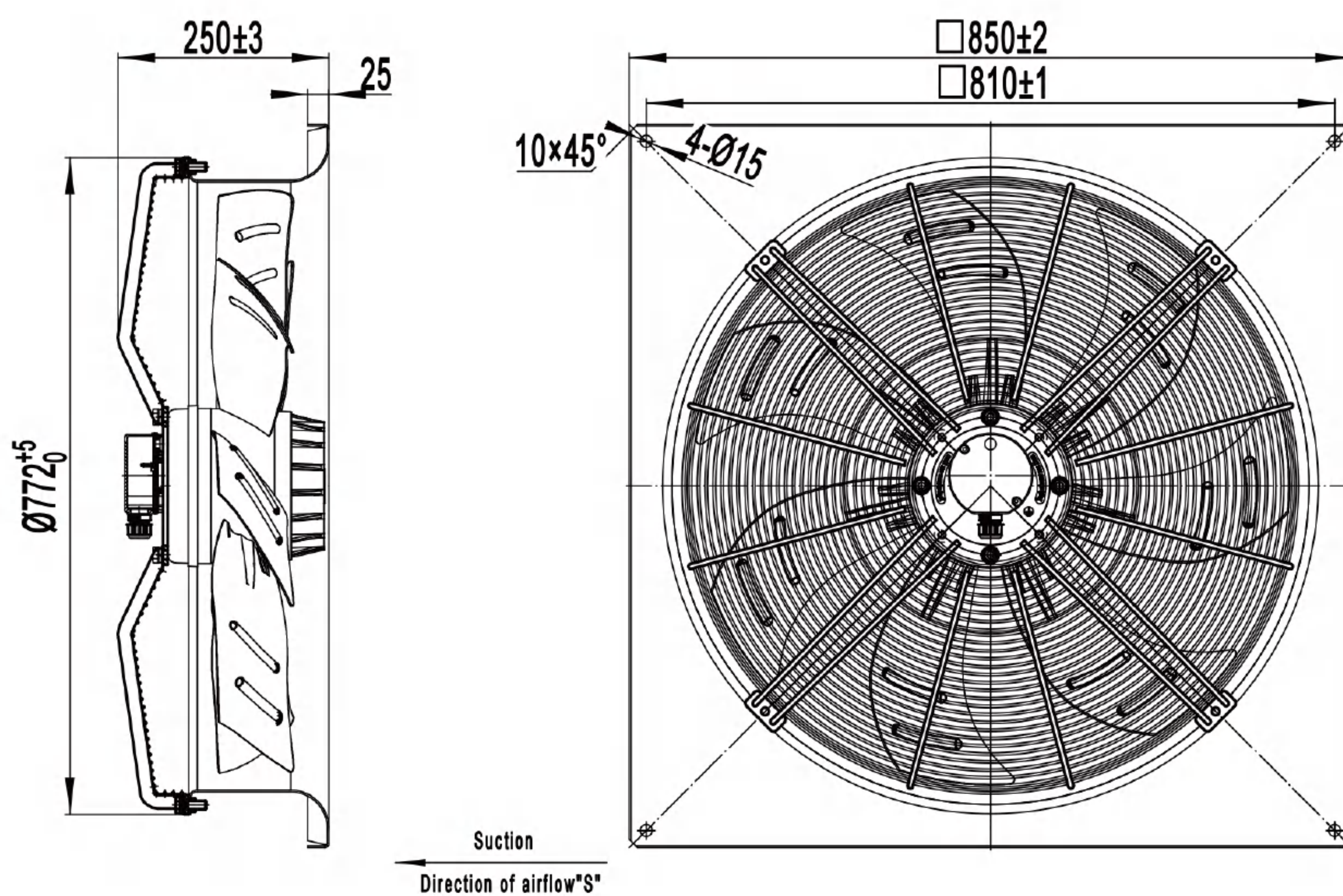
Product Characteristic

710S-7

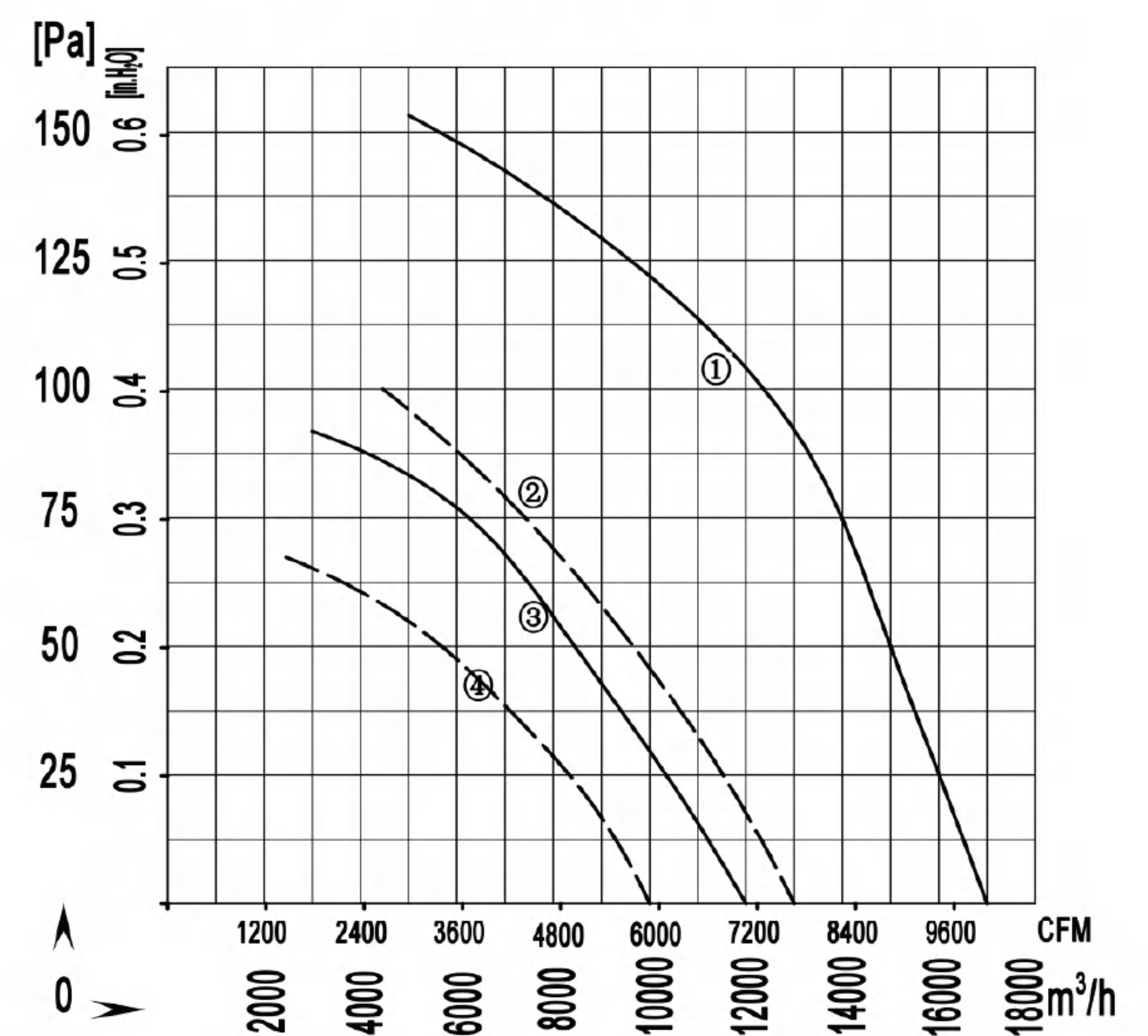
- Material : Cold rolled steel
- Protection Class: IP54
- Approvals: CCC/CE/ETL
- Insulation Class: F



Product Drawing



Flow Rate Curve



Technical Specifications

| Model | Voltage | Frequency | Current | Input Power | Speed | Capacitor | Speed | Noise | Curve |
|-------------------|----------|-----------|---------|-------------|--------|-----------|-----------|---------|-------|
| LWAA6D710S-7FM-05 | 380/400V | 50Hz | 2.00A | 1100W | 900RPM | / | 17000m³/h | 75dB(A) | ① |
| LWAA6D710S-7FM-06 | | 50Hz | 1.40A | 750W | 600RPM | | 12500m³/h | 68dB(A) | ② |
| LWAA8D710S-7FM-07 | 380/400V | 50Hz | 1.50A | 700W | 700RPM | / | 12000m³/h | 67dB(A) | ③ |
| LWAA8D710S-7FM-08 | | 50Hz | 0.90A | 450W | 600RPM | | 10000m³/h | 65dB(A) | ④ |

AC Axial Fan

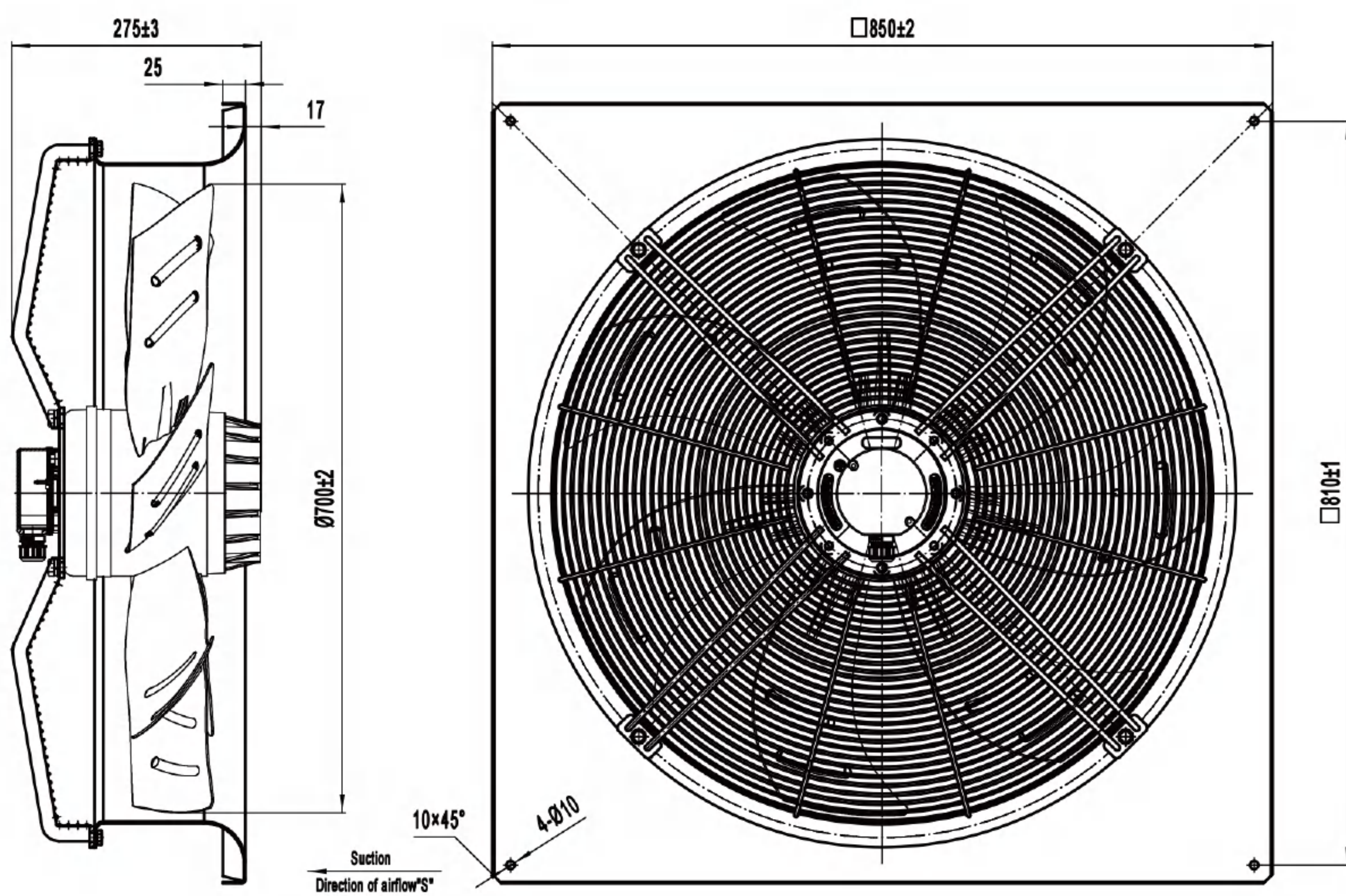
Product Characteristic

710S-7

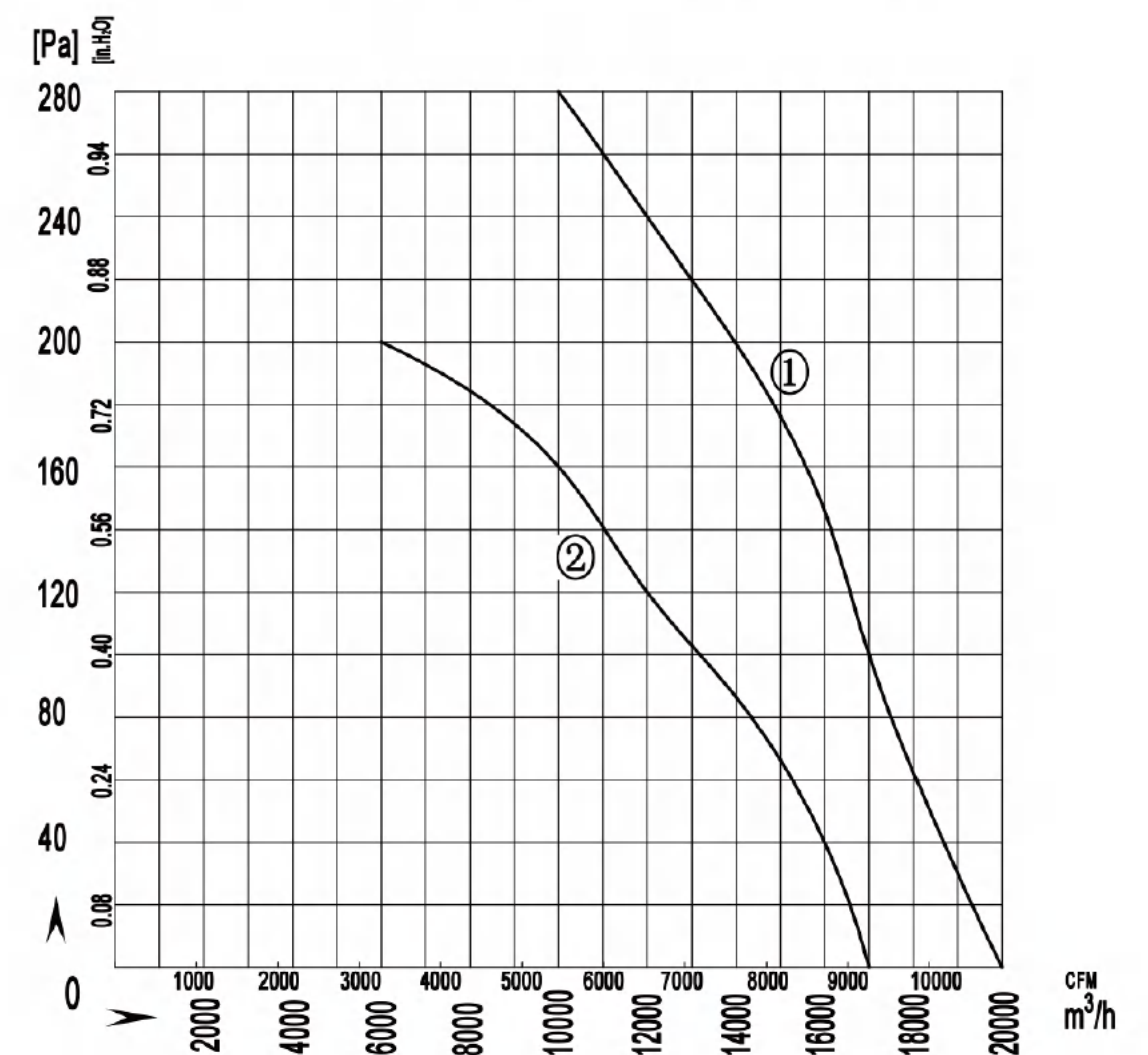


- Material : Cold rolled steel
- Protection Class: IP54
- Approvals: CCC/CE/ETL
- Insulation Class: F

Product Drawing



Flow Rate Curve



Technical Specifications

| Model | Voltage | Frequency | Current | Input Power | Speed | Capacitor | Speed | Noise | Curve |
|-------------------|----------|-----------|---------|-------------|---------|-----------|-----------|---------|-------|
| LWAA4D710S-7FM-09 | 380/400V | 50Hz | 4.60A | 2550W | 1380RPM | / | 20000m³/h | 85dB(A) | ① |
| LWAA6D710S-7FM-10 | | 50Hz | 2.00A | 1250W | 1150RPM | | 17000m³/h | 80dB(A) | ② |

AC Axial Fan

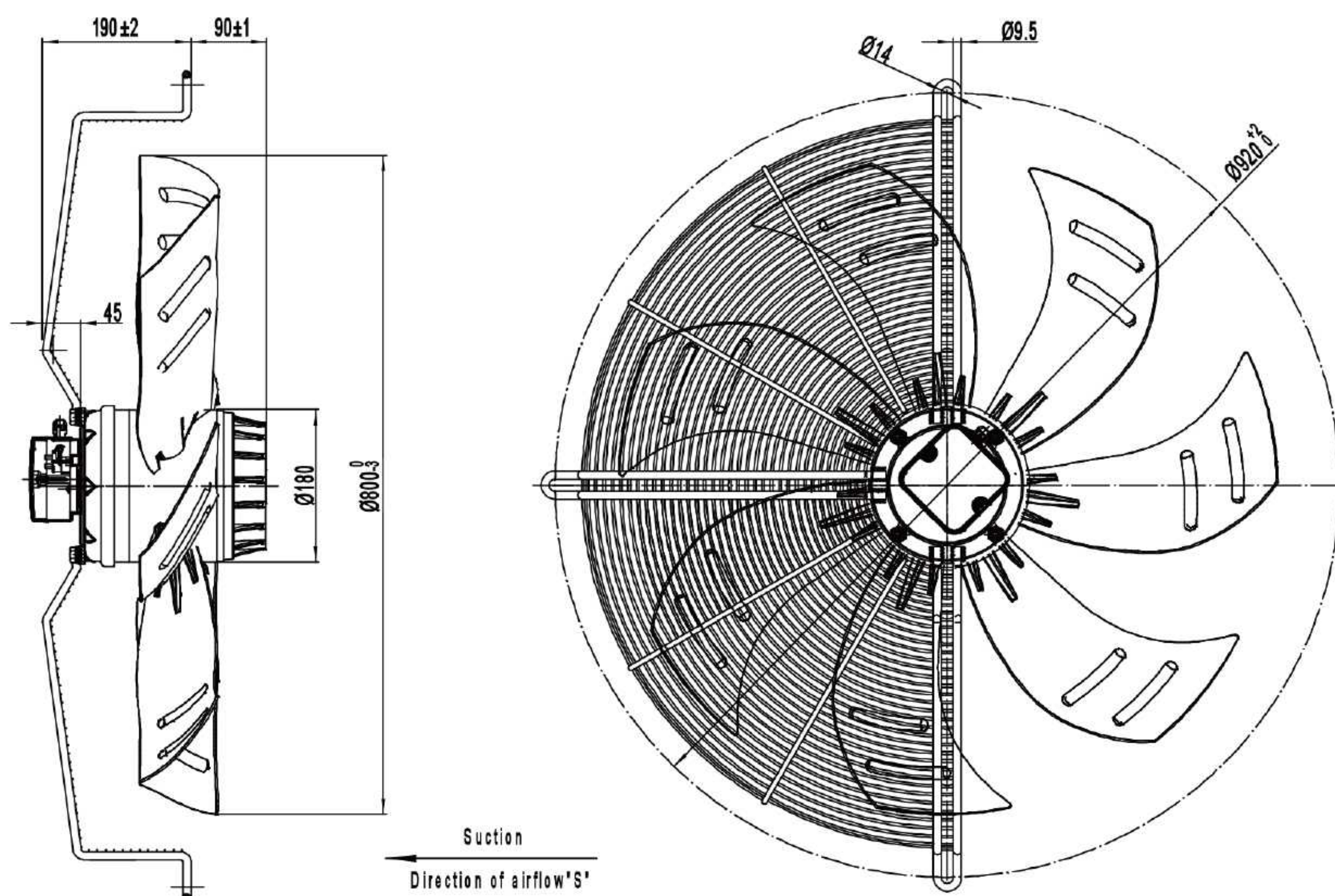
Product Characteristic

800S-7

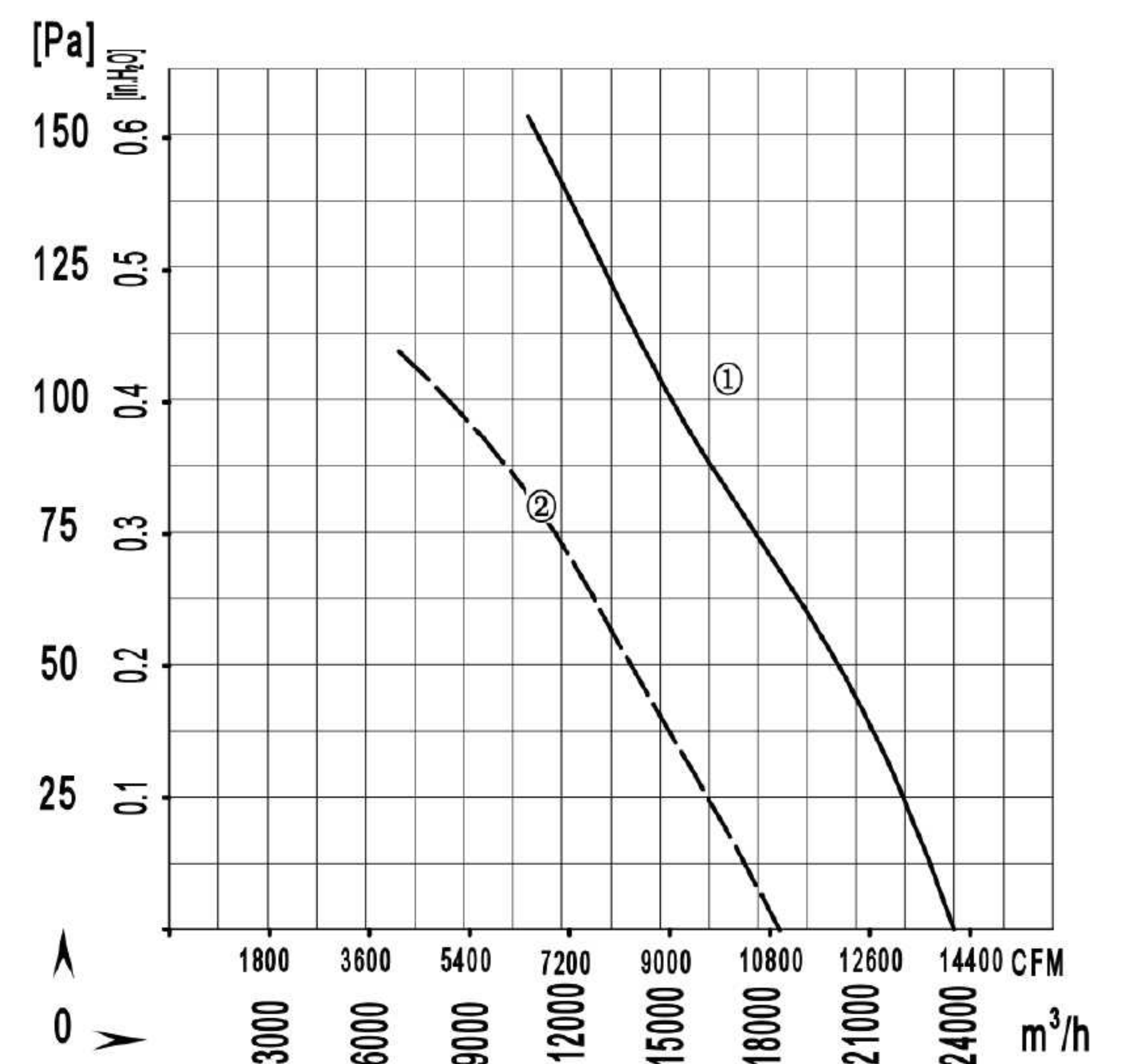
- Material : Cold rolled steel
- Protection Class: IP54
- Approvals: CCC/CE/ETL
- Insulation Class: F



Product Drawing



Flow Rate Curve



Technical Specifications

| Model | Voltage | Frequency | Current | Input Power | Speed | Capacitor | Speed | Noise | Curve |
|-------------------|----------|-----------|---------|-------------|--------|-----------|-----------|---------|-------|
| LWAA6D800S-7DM-01 | 380/400V | 50Hz | 3.70A | 1850W | 900RPM | / | 25000m³/h | 80dB(A) | ① |
| LWAA6D800S-7DM-02 | | 50Hz | 2.30A | 1250W | 700RPM | | 19000m³/h | 77dB(A) | ② |

AC Axial Fan

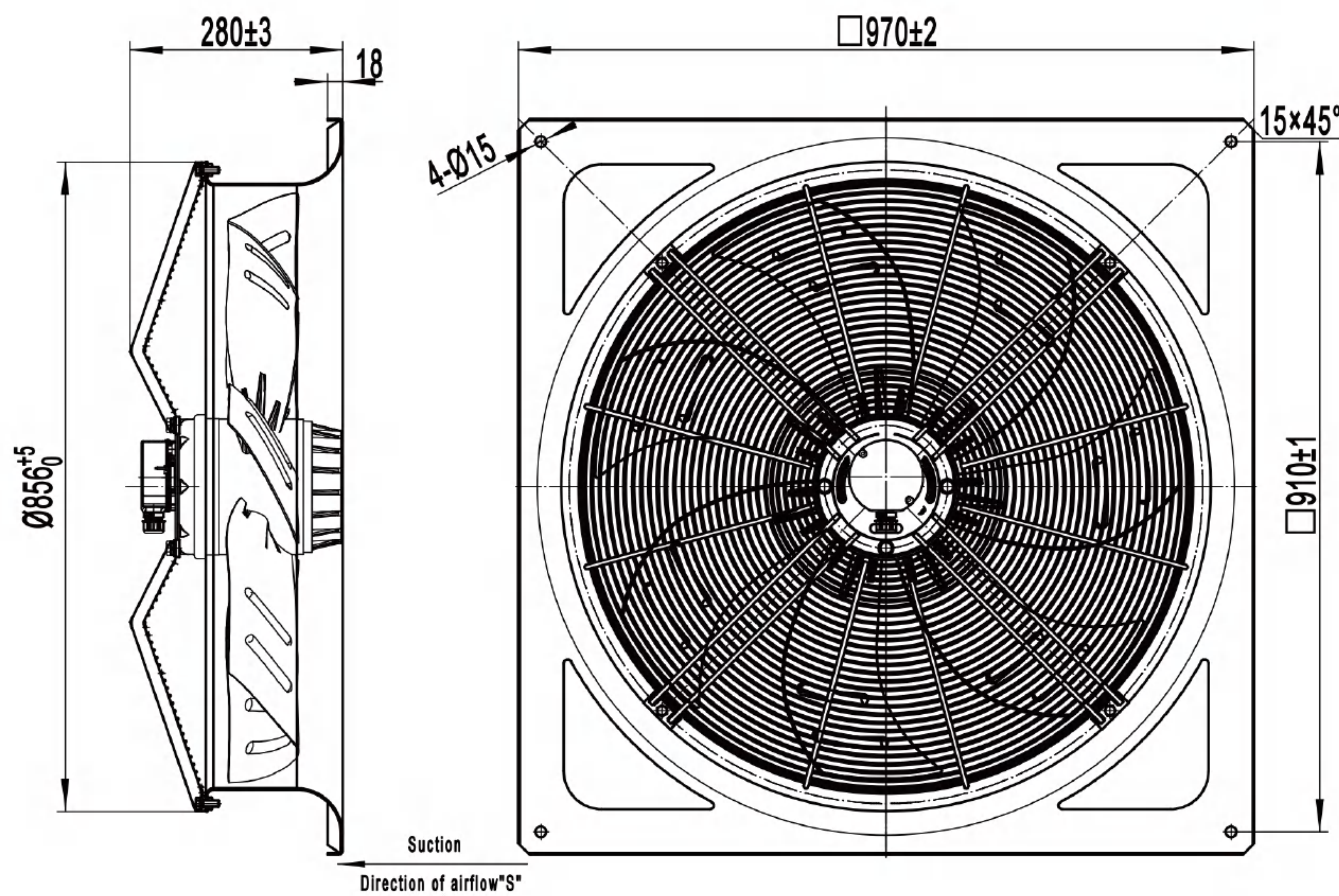
Product Characteristic

800S-7

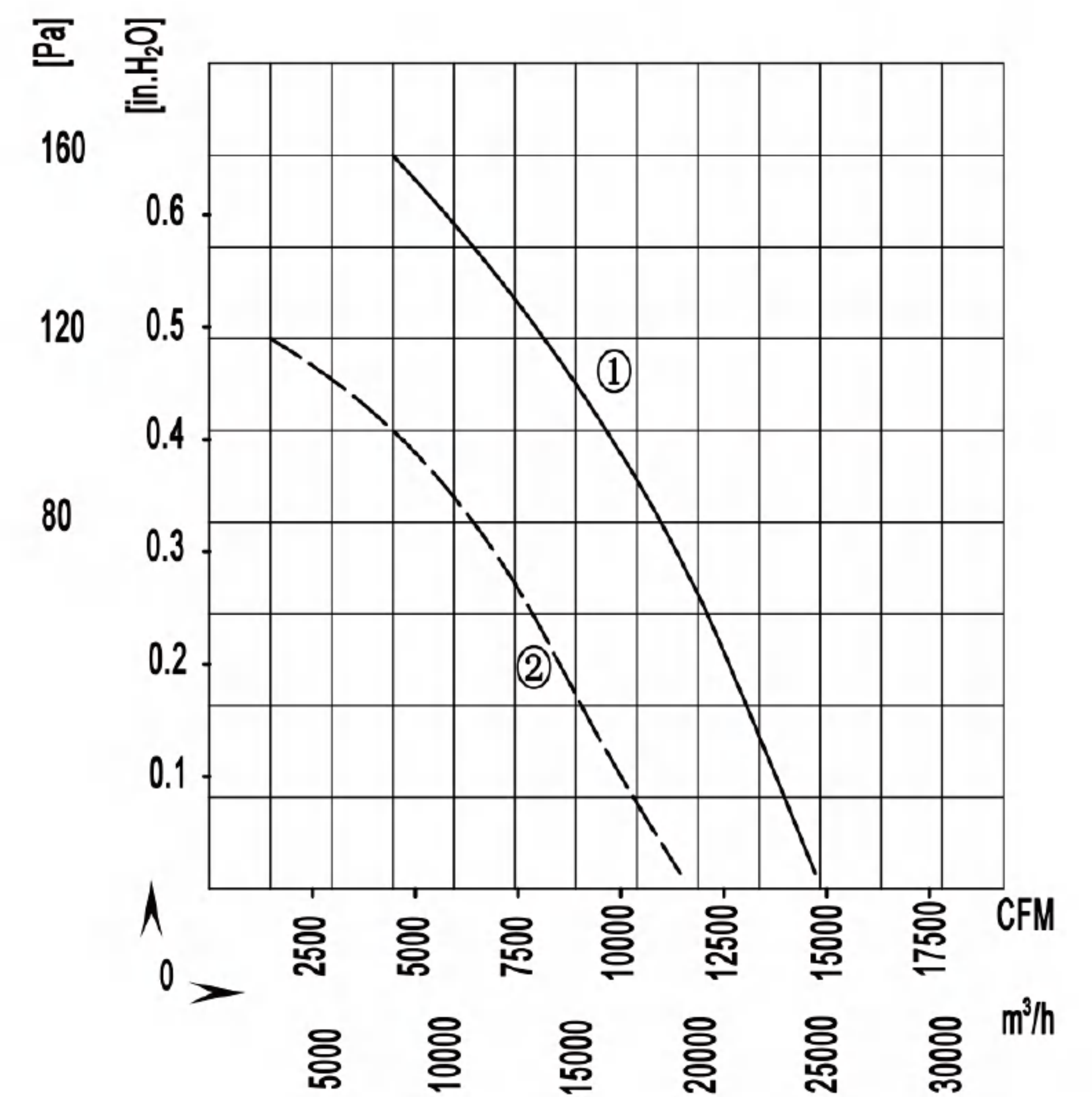


- Material : Cold rolled steel
- Protection Class: IP54
- Approvals: CCC/CE/ETL
- Insulation Class: F

Product Drawing



Flow Rate Curve



Technical Specifications

| Model | Voltage | Frequency | Current | Input Power | Speed | Capacitor | Speed | Noise | Curve |
|-------------------|----------|-----------|---------|-------------|--------|-----------|-----------|---------|-------|
| LWAA6D800S-7FM-03 | 380/400V | 50Hz | 3.70A | 1850W | 900RPM | / | 25000m³/h | 80dB(A) | ① |
| LWAA6D800S-7FM-04 | | 50Hz | 2.30A | 1250W | 700RPM | | 19000m³/h | 77dB(A) | ② |

Electrical Connections

